

SAM[®] Fan Filter Units

SAM Units Meet Your Most Exacting Cleanroom Specifications

SAM Fan Filter Units are self-contained, motorized Supply Air Modules equipped with either HEPA or ULPA filters.

SAM GS Units permit the removal of the HEPA or ULPA filters from roomside without removing the complete unit from the ceiling. GS Units feature an upstream gel channel on the final filter which provides a leak-free seal between the filter and housing.

SAM NCR Style filters can be replaced when complete unit is removed from the ceiling.

SAM MicroSound units feature low noise levels and energy efficient low watt motors.

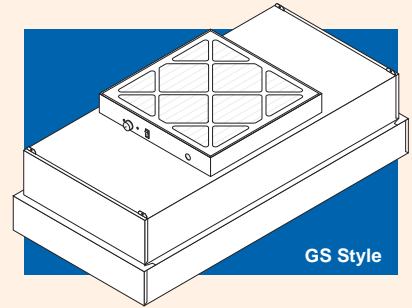
SAM MicroSound 3S units feature low noise levels and energy efficient low watt motors with a 3-speed switch.

SAM MicroSound ECM units feature low noise levels and maintain a constant air flow.

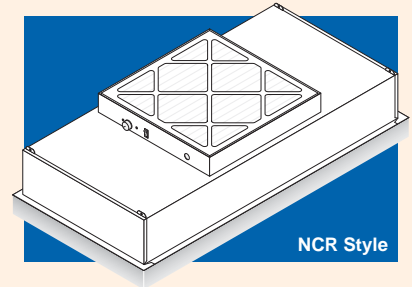
SAM Haz Loc units feature electrical components meeting various Class and Division requirements for hazardous locations.

Key features include:

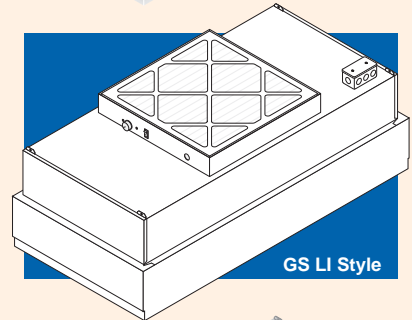
- Powered by energy efficient EBM motors.
- SAM units with EBM motors are compatible with our CRI SAMlink Control System.
- Four seismic clips at all corners provide strong suspension points for meeting seismic requirements.
- Solid-state variable speed control with RFI suppression allows each unit to be fine tuned for room air flow requirements.
- Most units are UL Listed with all electrical components UL Listed or UL Recognized.
- Housings are fabricated from steel with a white powder coat finish, aluminum or stainless steel.



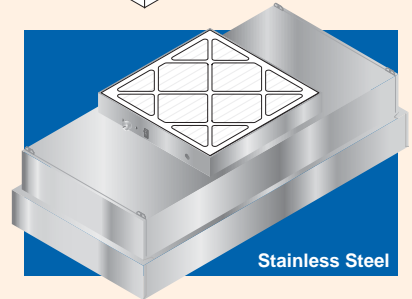
GS Style



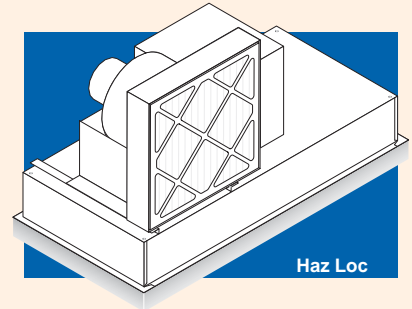
NCR Style



GS LI Style



Stainless Steel



Haz Loc

It is easy to see why SAM is the most trusted name in a cleanroom.



Clean Rooms International

Designing Flexible Solutions

SAM is a registered trademark owned by Clean Rooms International

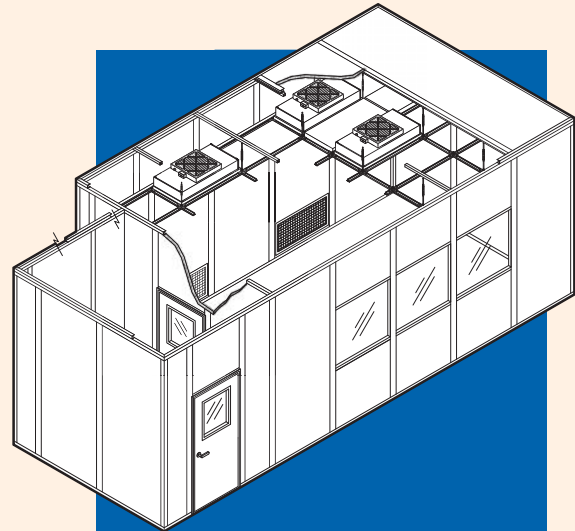
We are experts at integrating SAM Fan Filter Units into...

- Legend Modular Hardwall Cleanrooms.
- Flexible Solutions Softwall Cleanrooms.
- Environmental Control Products.
- Modular Hardwall Cleanrooms by others.
- Clean Benches and Workstations.
- Over Conveyors, Workstations, Special Equipment and Freestanding Machinery.

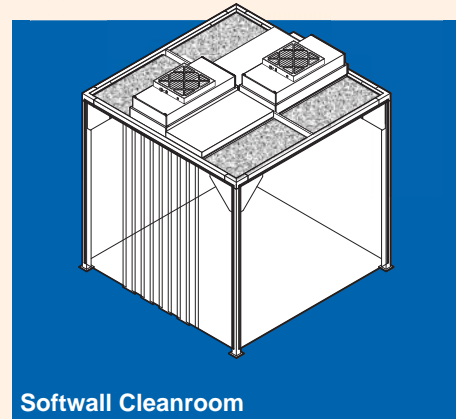
A standard SAM unit is routinely used for these products or a custom unit is designed to fit the application.

Benefits of choosing SAM Units:

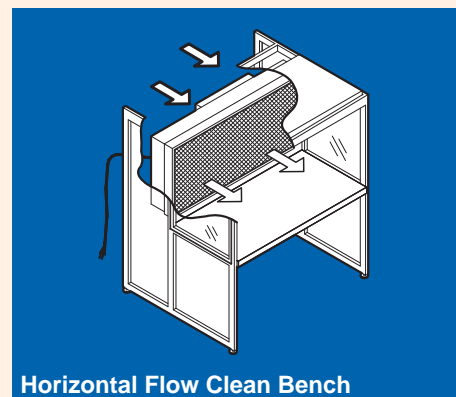
- Wide variety of types and models to fit all your applications.
- Our exclusive state-of-the-art *SAMlink Control System* allows complete control from a remote panel or PC. Linked individually or in groups, an operator can increase or reduce airflow to a selected area, which results in lower operating costs during off-peak hours.
- Can be used in either a horizontal or vertical flow position.
- Factory-installed options are available.
- A range of 2ft., 4ft., 6ft., and 4ft. x 4ft. models are available
- Short lead times.



Legend Modular Hardwall Cleanroom



Flexible Solutions Softwall Cleanroom



Clean Bench & Work Station Horizontal Flow Clean Bench

SAM is a registered trademark owned by Clean Rooms International