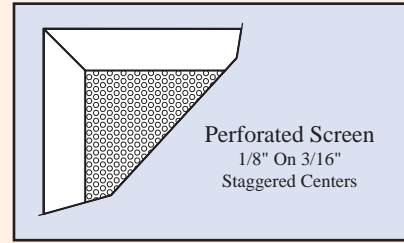


Grilles and Knife Edge

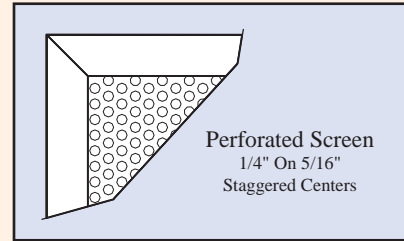
Grilles 1/8" Round Perforated (40% Open Area)

Model No.	Description	Size
19506	GS Anodized Aluminum Grille w/Anodized Aluminum Frame	2 x 2
19507	GS Anodized Aluminum Grille w/Anodized Aluminum Frame	2 x 4
19508	GS White Painted w/White Painted Frame	2 x 2
19509	GS White Painted w/White Painted Frame	2 x 4
19511	GS Stainless Steel Rd Grille w/Anodized Aluminum Frame	2 x 4
19512	GS Stainless Steel Rd Grille w/Anodized Aluminum Frame	2 x 2
19514	GS Stainless Steel Perf Grille w/Stainless Steel Frame	2 x 4
19513	* NCR Style Stainless Steel Perf	2 x 4



Grilles 1/4" Round Perforated (58% Open Area)

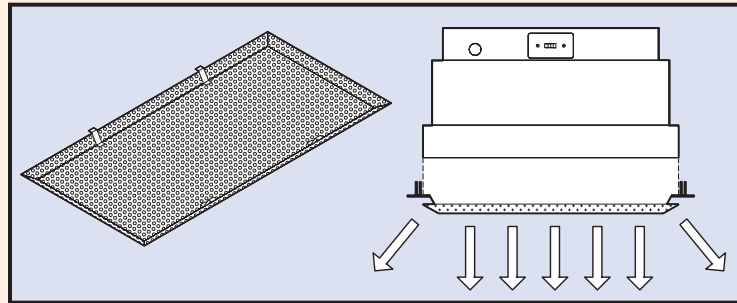
Model No.	Description	Size
19515	GS Anodized Aluminum Grille w/Anodized Aluminum Frame	2 x 2
19516	GS Anodized Aluminum Grille w/Anodized Aluminum Frame	2 x 4
19517	* NCR Anodized Aluminum Grille	2 x 4



* NCR Style Grilles are Attached with Double Sided Tape

Radial Diffuser Grille

Model No.	Description	Size
19300	Radial Diffuser Grille	2 x 2
19301	Radial Diffuser Grille	2 x 4



Knife Edge Units (for installing in Gel Seal Style T-Bar.)

Consult with the factory for more information about SAM Units with knife edge

