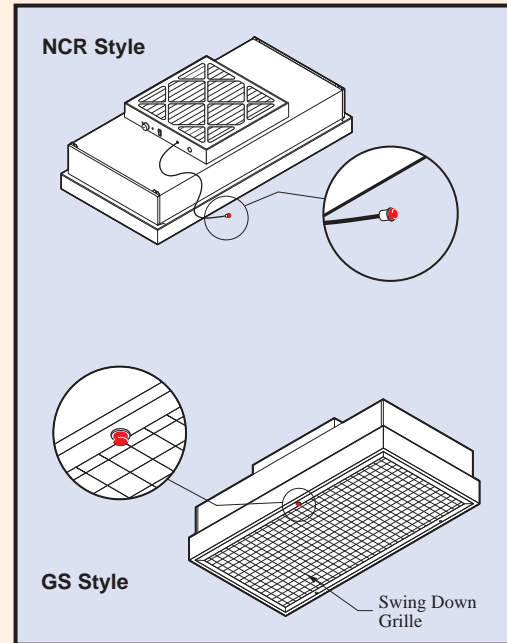


Pilot Light, Power Cord and Prefilter

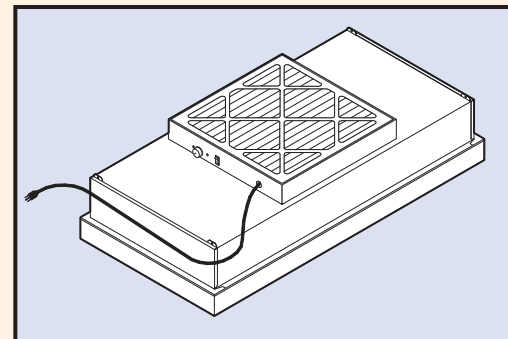
Roomside Pilot Light	
Model No.	Description
19700	NCR Style Red Pilot Light (w/3/6" lead for grid or ceiling mount) Light Indicates Power to Motor
19701	NCR Style Red Pilot Light w/Pressure Switch (w/3/6" lead for grid or ceiling mount) Light Indicates Power to Motor and Air Flow
19702	GS Style Red Pilot Light (factory mounted in grille frame) Light Indicates Power to Motor
19703	GS Style Red Pilot Light w/Pressure Switch (factory mounted in grille frame) Light Indicates Air Flow

Additional indicator light features and functions are available.
 Consult your factory representative.

NOTE: Use of Roomside pilot light negates UL listing.



Power Cord	
Model No.	Description
703902	8 ft Power Cord for all Other SAM Models 110V Only Safety Switch is Standard Equipment for all Models



Prefilters	
Model No.	Description
302190	Prefilter 20" x 20" x 1" MER 8/30% ASHRAE Efficient Fits all SAM Units
302197	Extended Life Prefilter 20" x 20" x 2" MER 8/30% ASHRAE Efficient Lower Pressure Drop, Double the Media Area Fits all SAM Units

* Consult the factory for additional types & sizes.

