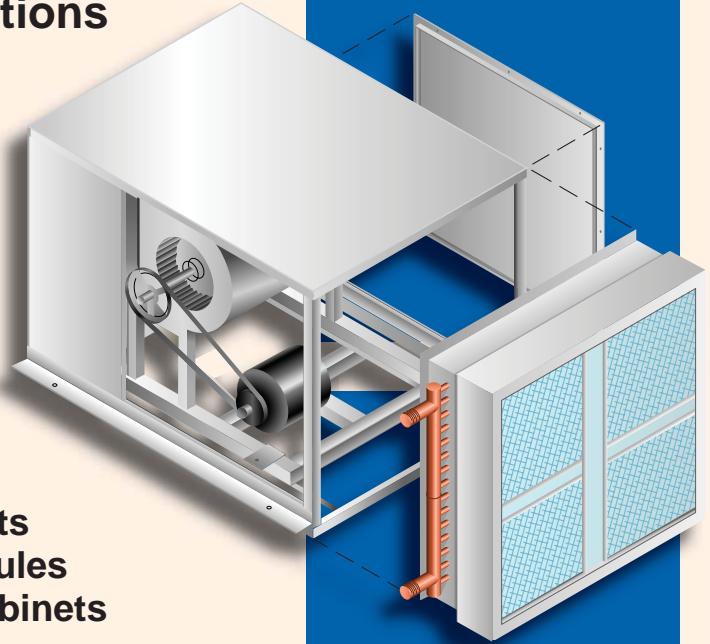


# Air Handling / Laminar Flow Modules

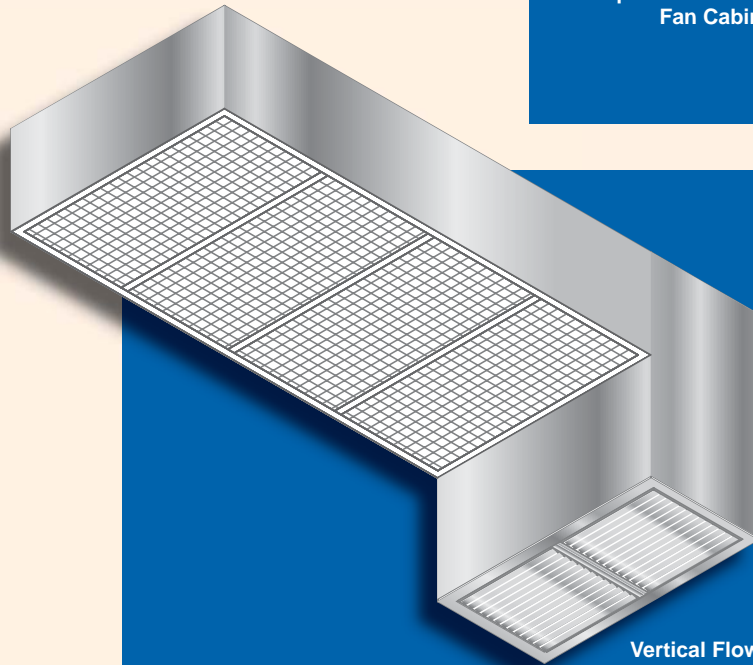
AIR HANDLING

Designed  
To Your Specifications

Air Handling Units  
Laminar Flow Modules  
Recirculating Fan Cabinets



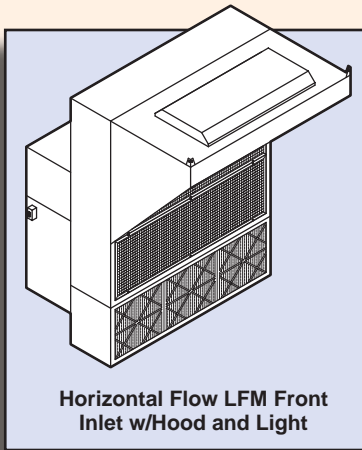
Top Horizontal Discharge  
Fan Cabinet



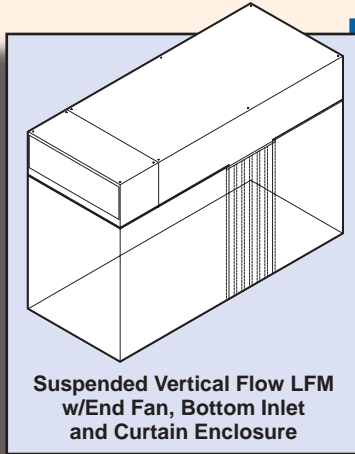
Vertical Flow LFM

**Clean Rooms  
International**  
*Designing Flexible Solutions*

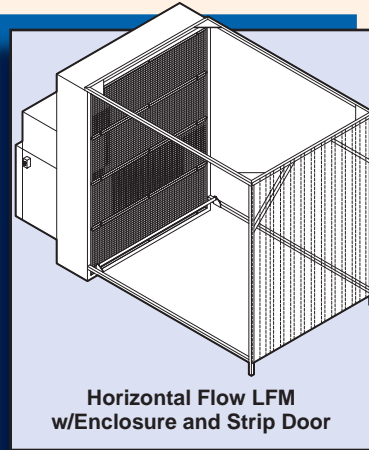
## Laminar Flow Modules



**Horizontal Flow LFM Front Inlet w/Hood and Light**

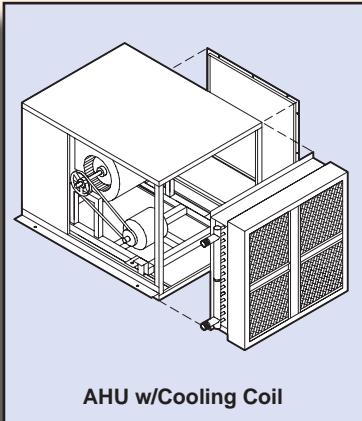


**Suspended Vertical Flow LFM w/End Fan, Bottom Inlet and Curtain Enclosure**

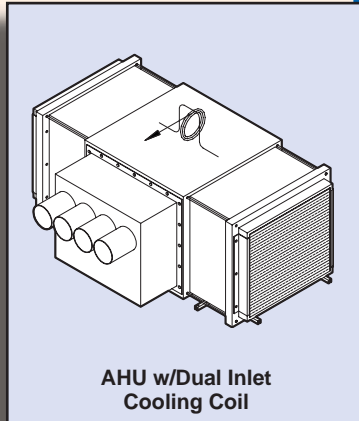


**Horizontal Flow LFM w/Enclosure and Strip Door**

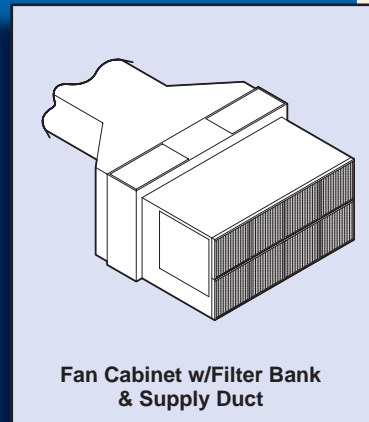
## Air Handling Units



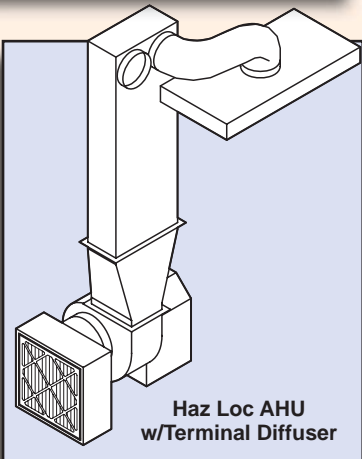
**AHU w/Cooling Coil**



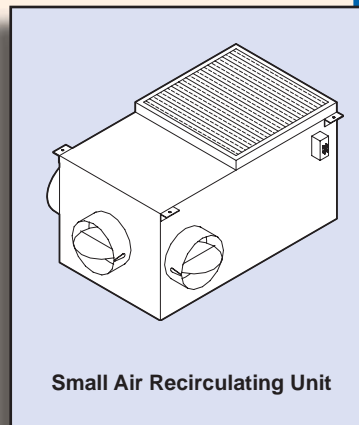
**AHU w/Dual Inlet Cooling Coil**



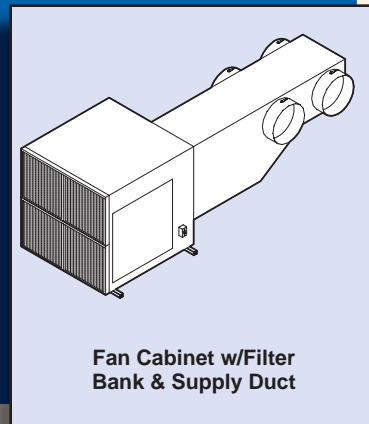
**Fan Cabinet w/Filter Bank & Supply Duct**



**Haz Loc AHU w/Terminal Diffuser**



**Small Air Recirculating Unit**



**Fan Cabinet w/Filter Bank & Supply Duct**