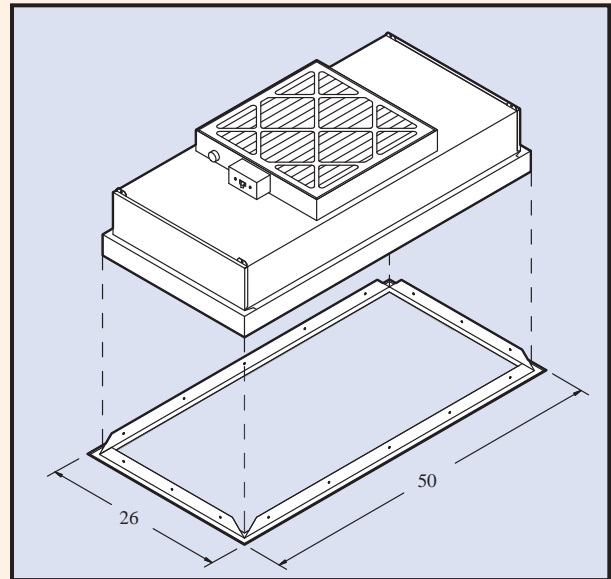


Sheet Rock Adapters

For Independent Support of SAM Filter Units in Solid Ceilings

Fabricated from white powdercoated steel or Stainless Steel and supplied with factory applied gasket. Suspension from building structure by others.



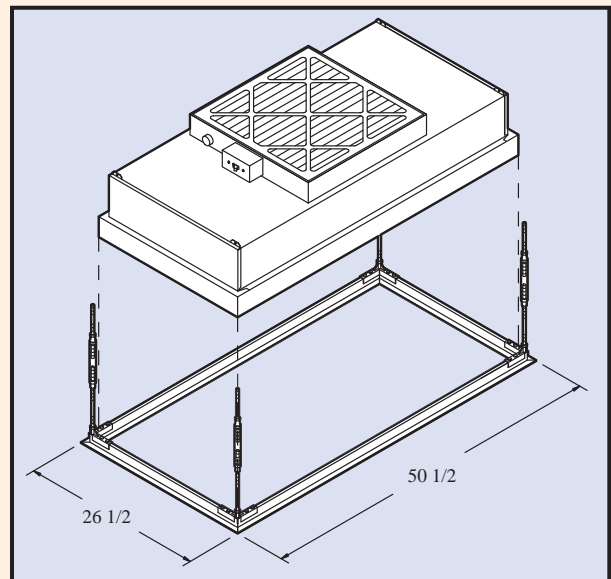
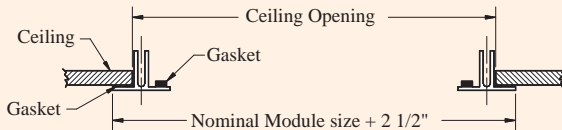
Ordering Information

Part No.	Description	Ceiling Opening Required	
19993	2 x 2 White Sheet Rock Adapter	Min. 24-1/8 x 24-1/8	Max. 24-1/2 x 24-1/2
19994	2 x 4 White Sheet Rock Adapter	Min. 24-1/8 x 48-1/8	Max. 24-1/2 x 48-1/2
19995	2 x 4 Stainless Steel Sheet Rock Adapter	Min. 24-1/8 x 48-1/8	Max. 24-1/2 x 48-1/2
19996	2 x 2 Stainless Steel Sheet Rock Adapter	Min. 24-1/8 x 24-1/8	Max. 24-1/2 x 24-1/2

Ceiling Collars

Structural Support Frame For Independently Suspending SAM Filter Units in Solid Ceilings
Consult with Factory for Custom Sizes

Anodized Aluminum with factory applied gasket and includes four (4) Turnbuckles & RH/LH Threaded Rod. Suspension from top of turnbuckle to building structure by others.



Ordering Information

Part No.	Description	Ceiling Opening Required	
19990	2 x 2 Anodized Aluminum	Min. 25-1/4 x 25-1/4	Max. 25-3/4 x 25-3/4
19991	2 x 4 Anodized Aluminum	Min. 25-1/4 x 49-1/4	Max. 25-3/4 x 49-3/4
19992	2 x 6 Anodized Aluminum	Min. 25-1/4 x 73-1/4	Max. 25-3/4 x 73-3/4