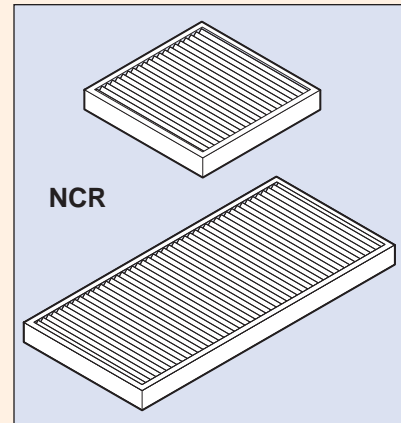
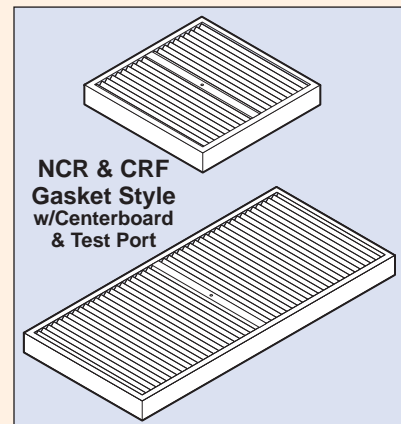


NCR Style Filters	
Part No.	Description
302070	2x2 NCR HEPA, 99.99% eff. @ 0.3 micron..... 23 5/8 x 23 5/8 53mm UL900
302013	2x3 NCR HEPA, 99.99% eff. @ 0.3 micron..... 23 5/8 x 35 5/8 53mm UL900
302090	2x4 NCR HEPA, 99.99% eff. @ 0.3 micron..... 23 5/8 x 47 5/8 53mm UL900
302120	2x6 NCR HEPA, 99.99% eff. @ 0.3 micron..... 23 5/8 x 71 5/8 53mm UL900
302071	2x2 NCR ULPA, 99.9995% eff. @ 0.12 micron..... 23 5/8 x 23 5/8 53mm UL900
302015	2x3 NCR ULPA, 99.9995% eff. @ 0.12 micron..... 23 5/8 x 35 5/8 53mm UL900
302100	2x4 NCR ULPA, 99.9995% eff. @ 0.12 micron..... 23 5/8 x 47 5/8 53mm UL900
302125	2x6 NCR ULPA, 99.9995% eff. @ 0.12 micron..... 23 5/8 x 71 5/8 53mm UL900
302072	2 x 2 NCR HEPA w/ Centerboard & Test Port, 99.99% eff..... 23 5/8 x 23 5/8 53mm UL900
302094	2 x 4 NCR HEPA w/ Centerboard & Test Port, 99.99% eff..... 23 5/8 x 47 5/8 53mm UL900
302092	2 x 4 NCR HEPA w/ Downstream Knife Edge, 99.99% eff..... 23 5/8 x 47 5/8 53mm UL900
302018	Undersize 2 x 4 HEPA, 99.99% eff. @ 0.3 micron..... 23 1/8 x 47 1/8 53mm UL900
302019	Undersize 2 x 4 ULPA, 99.9995% eff. @ 0.12 micron..... 23 1/8 x 47 1/8 53mm UL900
302093	Undersize 2 x 4 HEPA w/ Downstr. Knife Edge, 99.99% eff..... 23 x 47 53mm UL900
302027	SAM HO NCR 2 x 4 HEPA, 100mm, 99.99% eff..... 23 5/8 x 47 5/8 100mm UL900
302028	SAM HO NCR 2 x 4 ULPA, 100mm, 99.9995% eff..... 23 5/8 x 47 5/8 100mm UL900



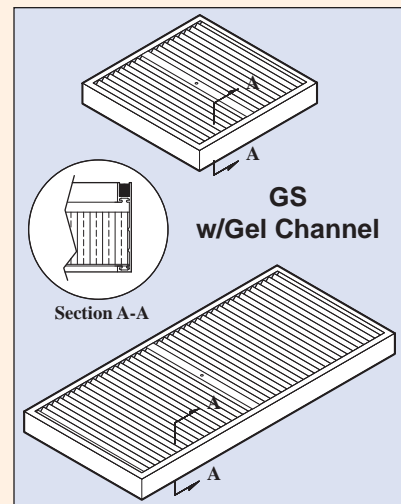
Gel Seal Style Filters for SAM GS Units & GS Terminal Diffusers	
302200	2x4 GS HEPA, 99.99% eff. @ 0.3 micron..... 20 5/8 x 44 5/8 53mm UL900
302201	2x2 GS HEPA, 99.99% eff. @ 0.3 micron..... 20 5/8 x 20 5/8 53mm UL900
302203	2x4 GS ULPA, 99.9995% eff. @ 0.12 micron..... 20 5/8 x 44 5/8 53mm UL900
302204	2x2 GS ULPA, 99.9995% eff. @ 0.12 micron..... 20 5/8 x 20 5/8 53mm UL900
302214	2x3 GS HEPA, 99.99% eff. @ 0.3 micron..... 20 5/8 x 32 5/8 53mm UL900
302215	2x3 GS ULPA, 99.9995% eff. @ 0.12 micron..... 20 5/8 x 32 5/8 53mm UL900



CRF Gasket Style Filters for SAM CRF Units & CAFM Terminal Diffusers	
302020	2x2 CRF/CAFM HEPA, 99.99% eff. @ 0.3 micron..... 20 5/8 x 20 5/8 53mm UL900
302021	2x2 CRF/CAFM ULPA, 99.9995% eff. @ 0.12 micron..... 20 5/8 x 20 5/8 53mm UL900
302014	2x3 CRF/CAFM HEPA, 99.99% eff. @ 0.3 micron..... 20 5/8 x 32 5/8 53mm UL900
302016	2x3 CRF/CAFM ULPA, 99.9995% eff. @ 0.12 micron..... 20 5/8 x 32 5/8 53mm UL900
302030	2x4 CRF/CAFM HEPA, 99.99% eff. @ 0.3 micron..... 20 5/8 x 44 5/8 53mm UL900
302040	2x4 CRF/CAFM ULPA, 99.9995% eff. @ 0.12 micron..... 20 5/8 x 44 5/8 53mm UL900
302130	2x6 CRF/CAFM HEPA, 99.99% eff. @ 0.3 micron..... 20 5/8 x 68 5/8 53mm UL900
302131	2x6 CRF/CAFM ULPA, 99.9995% eff. @ 0.12 micron..... 20 5/8 x 68 5/8 53mm UL900

Prefilters	
302190	Prefilter, 20 x 20 x 1" (30% ASHRAE eff.)
302193	Charcoal Prefilter, 20 x 20 x 1" (Sold only in carton quantities)
302197	Prefilter, 20 x 20 x 2" (30% ASHRAE eff.)
309802	Super Clean Prefilter, 20 x 20 x 1"

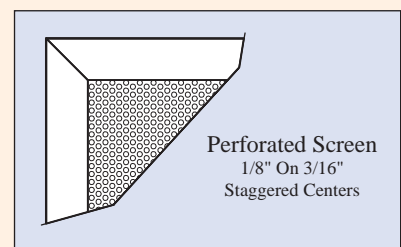
*Consult with the factory for other sizes*



Miscellaneous	
603552	Filter Clamp, CRF/CAFM Style
211615	Socket head, 10-24 x 1 for filter clamp
NA	Pilot Light, 120V (Consult with factory for replacement part number. Provide unit serial number at time of call)

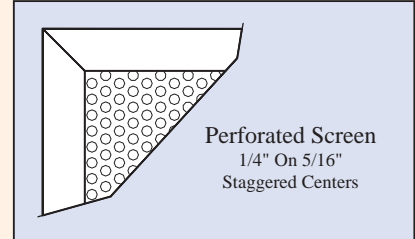
Grilles, Eggcrate	
19500	Grille, GS & CRF/LI 2x2 Acrylic eggcrate w/aluminum frame and hinges
19501	Grille, GS & CRF/LI 2x4 Acrylic eggcrate w/aluminum frame and hinges
19502	Grille, GS & CRF/LI 2x6 Acrylic eggcrate w/aluminum frame and hinges
19503	Grille, GS & CRF 2x2 Polystyrene eggcrate w/aluminum frame and hinges
19504	Grille, GS & CRF 2x4 Polystyrene eggcrate w/aluminum frame and hinges
19505	Grille, GS & CRF 2x6 Polystyrene eggcrate w/aluminum frame and hinges

Grilles 1/8" Round Perforated Holes (40% open area)	
19506	2x2 GS & CRF Anodized Aluminum Grille w/ Anodized Aluminum Frame
19507	2x4 GS & CRF Anodized Aluminum Grille w/ Anodized Aluminum Frame
19508	2x2 GS & CRF White Painted Perf w/ White Painted Frame
19509	2x4 GS & CRF White Painted Perf w/ White Painted Frame
19510	2x4 NCR White Painted Steel (Attached with double sided tape)
19511	2x4 GS & CRF Stainless Steel Rd Perf. Grille w/ Anodized Aluminum Frame
19512	2x2 GS & CRF Stainless Steel Rd Perf. Grille w/ Anodized Aluminum Frame
19514	2x4 GS & CRF Style Stainless Steel Perf. w/ SS Frame
19513	2x4 NCR Style Stainless Steel Perf (attached with double sided tape)



### Grilles 1/4" Round Perforated Holes (58% open area)

Part No.	Description
19515	2x2 GS & CRF Anodized Aluminum Grille w/aluminum frame and hinges
19516	2x4 GS & CRF Anodized Aluminum Grille w/aluminum frame and hinges
19517	2x4 NCR Style Stainless Steel Perf (attached with double sided tape)



### Lamp Receptacles and Ballasts

703754	Ballast, 2 ft. and 4 ft., 110-277V, 4-lamp, T8, 32W
703756	Ballast, 6 ft, 120V, T12-34W 60 Hz, 2-lamp, Slimline rapid start
703760	Ballast, 4 ft, 230/250V, T12-34W 50hz, 2-lamp, rapid start (Teknek)
703761	Ballast, 6 ft, 220V, 50hz, H.O
703763	Ballast, 6 ft, 115V, 60 hz, H.O
703871	Lamp Receptacle, Med Bi Pin for 2 ft & 4 ft models
703874	Lamp Receptacle, H.O., spring loaded for 6 ft models
703875	Lamp Receptacle, H.O., stationary for 6 ft models

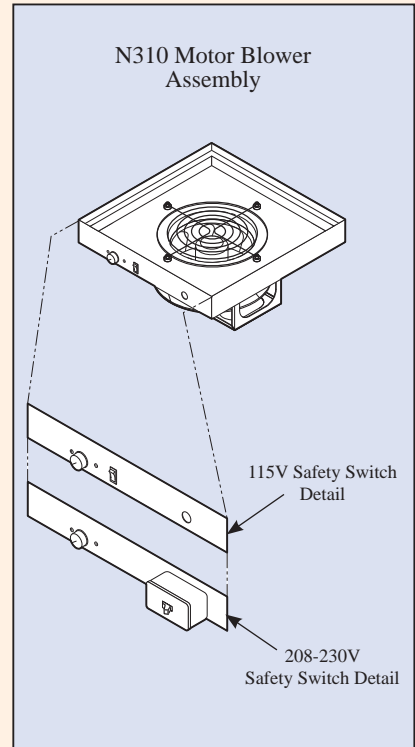
### Motor Blower Prefilter Frame Assemblies

*Includes factory wired motor blower, capacitor, speed control, safety switch, guard, all mounted to prefilter frame ready to drop in the housing.*

N310 Motor Blower for MicroSound & LC Units

19960	N310 115 Volt, 60 Hz. Impeller Type
19961	N310 208-230 Volt, 50/60 Hz. Impeller Type
19962	N310 277 Volt, 60 Hz. Impeller Type

1/3 HP Motors: Consult With The Factory



### Motor Capacitors

221694	Capacitor, N310 EBM Motor, 115 Volt, 60 Hz
NA	Capacitor, N310 EBM Motor, 208-230 Volt, 50/60 Hz. Model with 277 Volt Motor Use 221691
221691	Capacitor, N310 EBM Motor, 277 Volt, 60 Hz
703785	Capacitor, Okaya PA474 for CE Europe Models
505078	Motor Fan Guard (Gard-Tec Wire Type)

### Power Cord

703902	Power Cord, 8 ft., 110-120 Volt Only
--------	--------------------------------------

### Speed Controls

703910	115 Volt Variable Speed Control, 5 amp for models w/ 2-wire speed control
703084	115 Volt Variable Speed Control, 5 amp for models w/ 3-wire speed control (Models after 07/03/06 except LC)
703912	208-230 Volt Variable Speed Control, 5 amp
703913	SAM 26 Models, 240-277 Volt Variable Speed Control, 10 amp
703915	277 Volt Variable Speed Control, 5 amp
703916	SAM 26 Models before 2000, 115 Volt, 10 amp

### Safety Switches

704085	Safety Switch, 110-120 Volt Only, Rocker Type
703888	Safety Switch, 208-230 Volt, Brown Toggle Type
703887	Safety Switch, 277 Volt, White Toggle Type
703890	Safety Switch, 110-120 Volt, Ivory Toggle Type

*Some SAM 26 Models May Require 2 Switches. Consult with the factory and provide the serial number for tracing the order number.*

### Static Control Parts

703918	Emitter Bar for 2 Ft. Models (4005201-C)
703920	Emitter Bar for 4 Ft. Models (4005202)
703921	Emitter Bar for 6 Ft. Models (4005204)
703922	Controller, 110-120 Volt (4005184)
703923	Controller, 208/230 Volt, 50/60 Hz. (4005185)

