

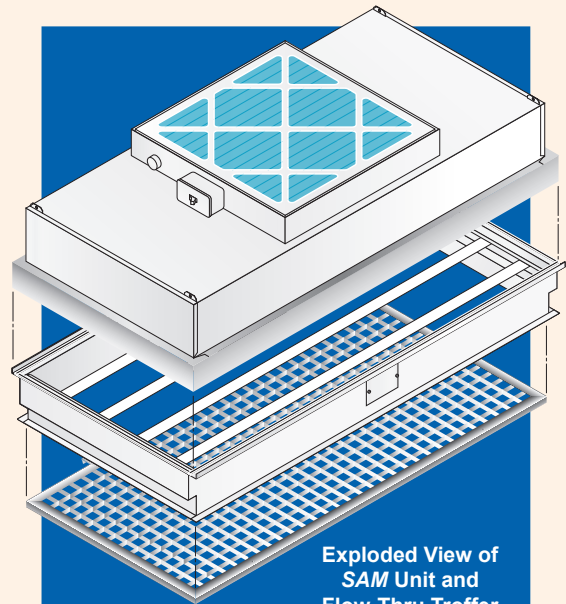
UL 1598 Certified for air handling Flow-Thru Troffers allow HEPA or ULPA filtered air to flow through the fixture and into the clean room.

Flow-Thru Troffers feature four lamps, sealed housings and a white powdercoated finish.

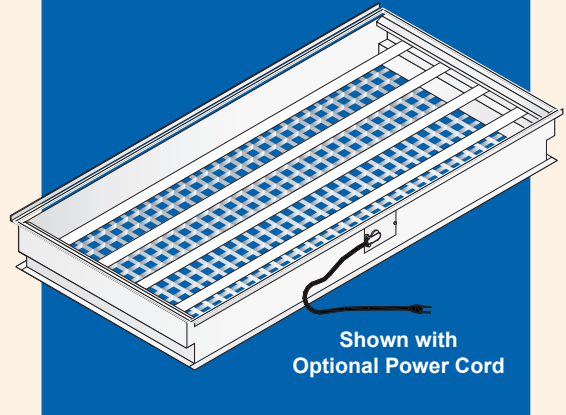
A drop-down painted white aluminum eggcrate grille with an anodized aluminum frame permits removal of the lamps and ballast from roomside.

Standard ballasts are 120-277 Multi-Voltage, LED or T8 compatible. The ballast is mounted inside the housing and is removable from roomside.

All electrical components are UL listed.



Exploded View of  
SAM Unit and  
Flow-Thru Troffer



Shown with  
Optional Power Cord

## Ordering Information

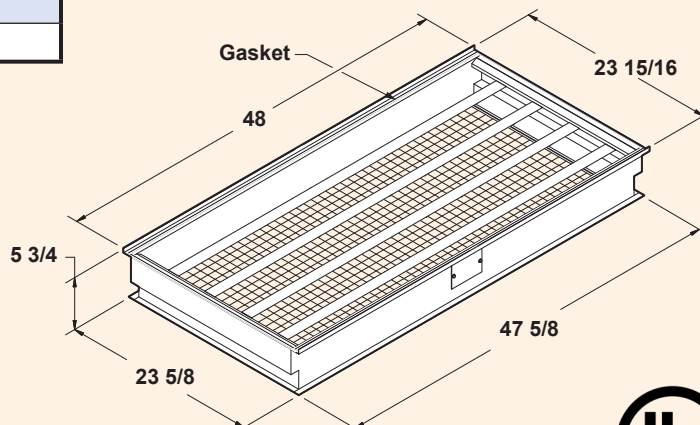
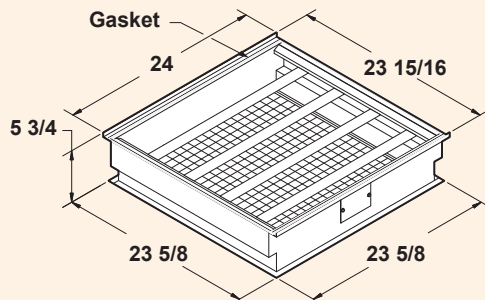
Part No.	Description
148500	2' x 4', 120-277 Multi-Voltage, 4 Lamp
148504	2' x 3', 120-277 Multi-Voltage, 4 Lamp
148510	2' x 2', 120-277 Multi-Voltage, 4 Lamp
703902	Optional Power Cord (110-120 Volt Only)
703754	Replacement Ballast 120V-277V Multi-Voltage
Note: All Multi-Voltage ballasts are 50/60 hz. Fluorescent lamp tubes not included.	

\*1. 120V = .93 amps, 277V = .40 amps

\*2. 120V = .94 amps, 277V = .40 amps

## Shipping Information

Part No.	Weight
148500	31 lbs. (14 kg.)
148504	30 lbs. (13.6 kg.)
148510	28 lbs. (13 kg.)



## Air Foil Design

Clean Rooms International's Teardrop Light Fixture features a narrow, airfoil design which minimizes turbulence in cleanrooms requiring an unidirectional air flow. The fixture is suitable for use in Federal Standard 209 Class 100 to 100,000 and ISO Class 5 to 9 cleanroom environments.

Applications include but not limited to cleanrooms, technical and biomedical labs, food processing centers and pharmaceutical labs.

## Smooth Environmental Side

A one-piece, clear extruded, prismatic acrylic lens with internal horizontal prism pattern maintains a smooth environmental side. White, closed cell gasketing seals the lens to end caps and prevents entrapment of biohazardous contaminants which could grow inside the fixture.

The enclosed 2" wide gasketed housing can be mounted on any 2" T-Bar. Recessed, 7/8" diameter knockouts-one on each end cap and one at each end of the mounting surface-allow connection of vapor tight conduit fitting for either continuous row mounting or top access.

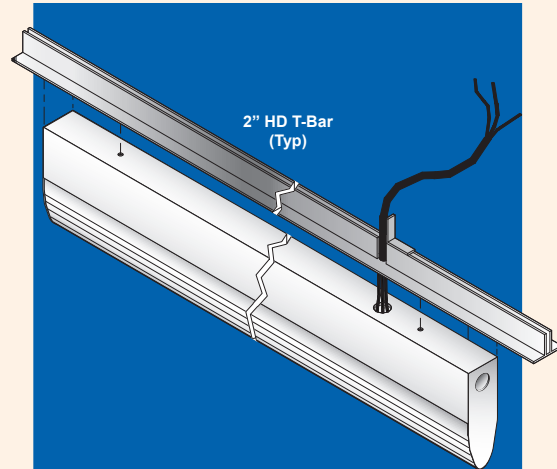
## Sealed End Caps

Housings are die-formed, 22 ga. CRS with 16 ga., spot welded and sealed end caps. Standard white high reflectance polyester powder coat finish. Gloss: 85%; Reflectance: 93%; Hardness: 2H; Salt Spray: 500 Hours.

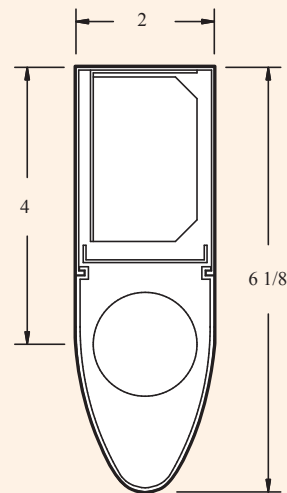
A standard 4' fixture is equipped with a 120-277 Multi-voltage T8 electronic ballast and receptacles to accept one F32 T8 fluorescent lamp tube (lamp tube not included).

## Regulatory Compliance

These luminaries are UL listed and CSA certified for wet locations and are manufactured in accordance with USDA, FDA, and NSF guidelines. All fixtures have been tested and reported in compliance with Federal Standard 209.



- Manufactured in compliance with USDA, FDA, and NSF guidelines.
- UL listed.
- Suitable for use in **VERTICAL LAMI NAR AIR FLOW** cleanrooms.



End View  
 (Shown with end cap removed)