

General Information

CFM Terminal Diffusers provide cost effective HEPA or ULPA filtered air for cleanrooms and laminar flow devices.

Worldwide applications include but are not limited to aerospace, automotive, electronics, plastics, pharmaceuticals and semiconductor manufacturing.

Available in 99.99% and 99.9995% efficiencies, each filter is tested to accepted procedures as described by the Institute of Environment Sciences (IEST) and/or ISO standards.

Features

CFM Terminal Diffusers feature low pressure drop, uniform airflow @ 100 FPM +/- 20%, 2" high collar for a secure connection, and are lightweight for easy installation.

General Specifications

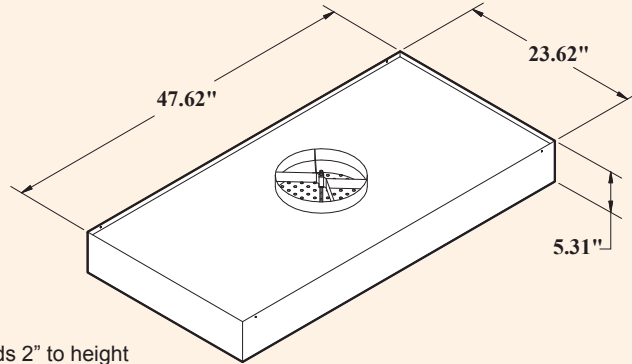
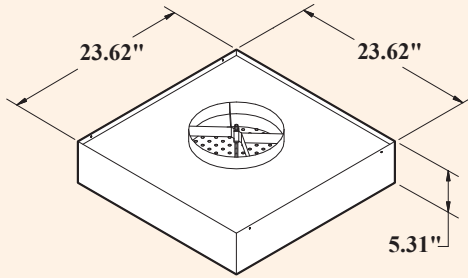
- Anodized extruded aluminum frames.
- Potting material completely encapsulates pleats on all four sides.
- Hood is galvanized steel.
- Available with 10" or 12" duct collar.
- Damper is adjustable from roomside.
(See a following page for detailed instructions)
- A white epoxy powder coated steel grille protects filter media from damage.
- Centerboard with access port for disc adjustment.
- Seismic holes or tabs provided for compliance with UBC requirements and standards.
- All Materials used shall be fire retardant and self extinguishing in accordance with Underwriter Laboratories UL 586 and UL900 Classifications.

Note:

See GS Series for Gel Seal Style HEPA or ULPA filters that are replaceable from roomside. See GS LI Series for units that feature a 4-Lamp Flow-Thru Troffer as well as Gel Seal Style HEPA or ULPA filters that are roomside replaceable.



UL900



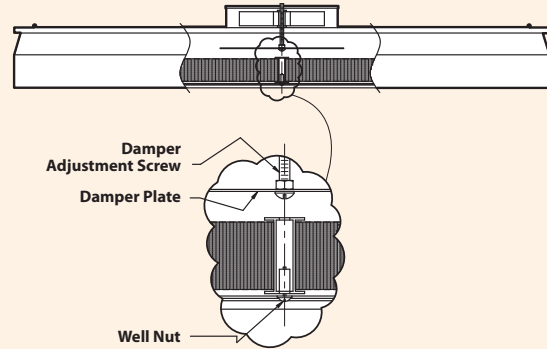
NOTE: Collar adds 2" to height

Damper Assembly Adjustment

With the 1/4" Flat head screw driver, remove the well nut from the centerboard, located in the center of the filter.

Using the same 1/4" Flat head screw driver, insert the screw driver blade through the opening in the centerboard to reach the adjustment screw, permanently attached to the damper plate. Turning the screw driver in a clockwise direction to close the damper and counter clockwise to open the damper.

After the damper adjustment has been made, remove the screwdriver from the opening and replace the well nut.



Ordering Information									
Mfg. Code	HEPA	Class	Nominal Size	Actual Size (In)	Inlet Collar	Media Pack	Efficiency	Pres. Drop @ 100 Fpm	Ship Weight
11145*	UL 900	2 x 2	2 x 2	23.62 x 23.62 x 5.31	10	2.0"	99.99% @ 0.3	0.54"wg	25 lbs.
11146*	UL 900	2 x 2	2 x 2	23.62 x 23.62 x 5.31	12	2.0"	99.99% @ 0.3	0.54"wg	25 lbs.
11147*	UL 900	2 x 4	2 x 4	23.62 x 47.62 x 5.31	10	2.0"	99.99% @ 0.3	0.54"wg	32 lbs.
11148*	UL 900	2 x 4	2 x 4	23.62 x 47.62 x 5.31	12	2.0"	99.99% @ 0.3	0.54"wg	32 lbs.
ULPA									
11149	UL 900	2 x 2	2 x 2	23.62 x 23.62 x 6.21	10	2.5"	99.9995% @ 0.12	0.70"wg	25 lbs.
11150	UL 900	2 x 2	2 x 2	23.62 x 23.62 x 6.21	12	2.5"	99.9995% @ 0.12	0.70"wg	25 lbs.
11151	UL 900	2 x 4	2 x 4	23.62 x 47.62 x 6.21	10	2.5"	99.9995% @ 0.12	0.70"wg	32 lbs.
11152	UL 900	2 x 4	2 x 4	23.62 x 47.62 x 6.21	12	2.5"	99.9995% @ 0.12	0.70"wg	32 lbs.

* Stock Item

Optional Thermal Insulation	
Mfg. Code	
19004	2 x 2 Insulation Blanket, 1.5" Foil
19005	2 x 4 Insulation Blanket, 1.5" Foil
Consult Factory for Grille Options	