

### Designed for Clean Rooms

Clean Rooms International's suspension hardware for 2" Heavy Duty T-Grid Systems is designed and manufactured to meet the exacting standards of the clean-room industry.

### Hardware is Interchangeable

Gasket and Gel Seal Style suspension hardware is interchangeable and includes a series of intersection connectors and turnbuckles for suspending the T-Grid System from the building structure.

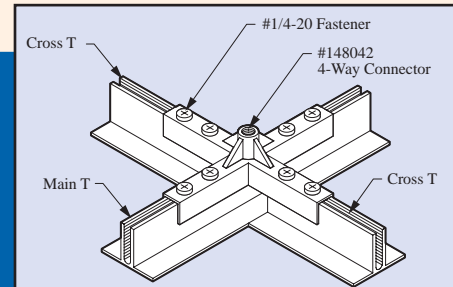
### Strong Load Bearing Capacity

Connectors are designed to accommodate standard 2' x 4' openings and other unusual configurations. The zinc castings are designed with an integral 3/8" x 3/4" high threaded tower providing a strong load bearing capability. The tower accepts our 3/8" #148038 Right Hand/Left Hand 8" stud which is connected to a #148039 threaded turnbuckle. A preferred method of suspension from the building structure is all-thread rod attached to the turnbuckles as illustrated.

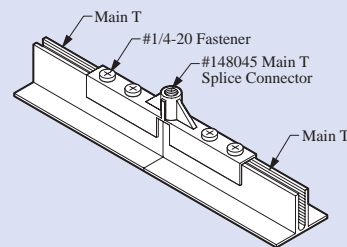
### Seismic Zone Applications

Sprinkler Penetration Sleeves, Ionization Emitters and seismic sway control can be incorporated into the system. For applications in seismic zones, the all-thread rod serves as a compression strut and splay wires can be attached to eye bolts secured to the Intersection Connectors.

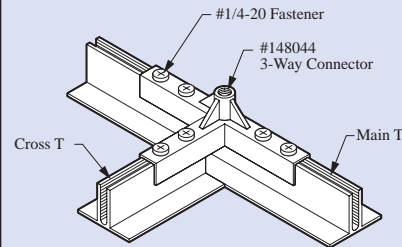
Local seismic codes vary. We recommend consulting with local authorities for clarification.



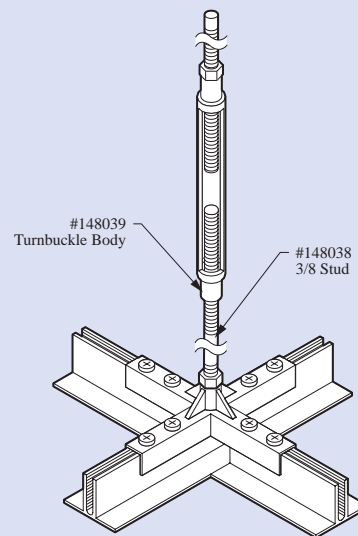
**Typical 4-Way Intersection**



**Typical Splice Connection**

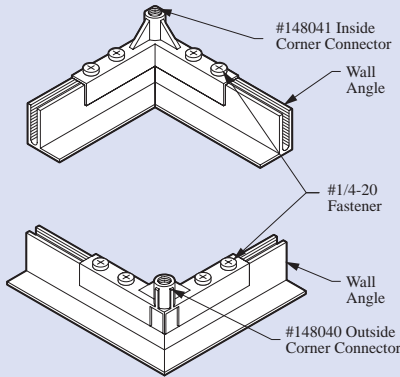


**Optional 3-Way Intersection**

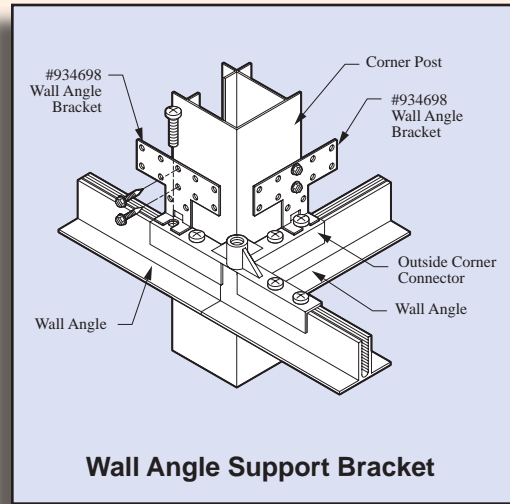


**Shown with 3/8-16 Right Hand/Left Hand Threaded Rod and Turnbuckle body**

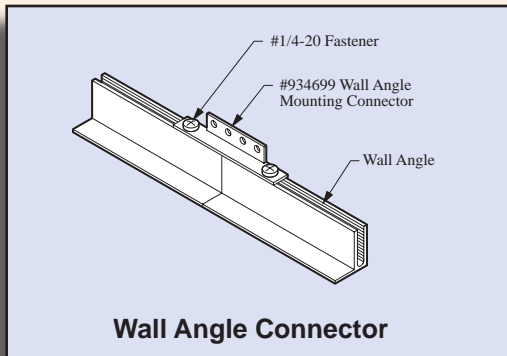
**Typical Inside Corner Intersection**



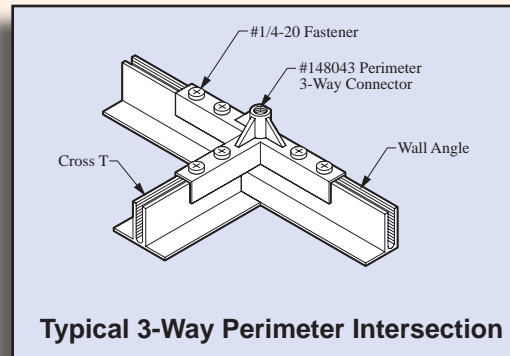
**Typical Outside Corner Intersection**



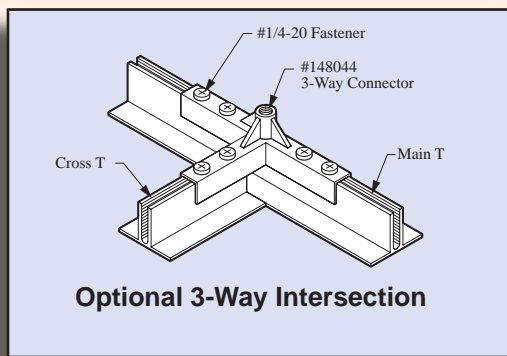
**Wall Angle Support Bracket**



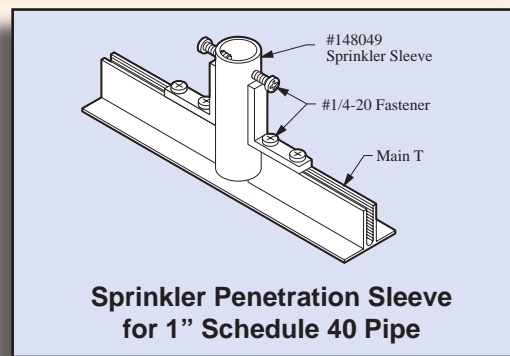
**Wall Angle Connector**



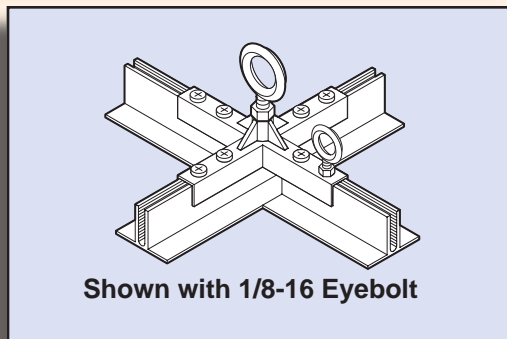
**Typical 3-Way Perimeter Intersection**



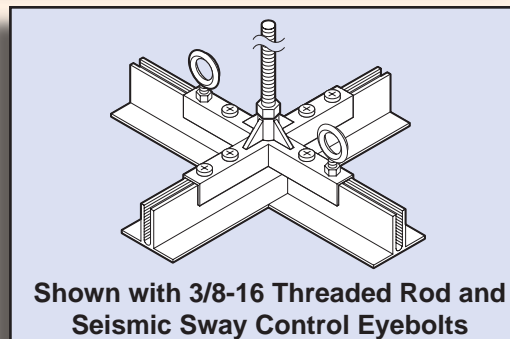
**Optional 3-Way Intersection**



**Sprinkler Penetration Sleeve for 1" Schedule 40 Pipe**



**Shown with 1/8-16 Eyebolt**



**Shown with 3/8-16 Threaded Rod and Seismic Sway Control Eyebolts**

# Suspension Hardware

**Gasket Style  
2" Heavy Duty T-Grid**



**2" Gasket Seal**

**Gasket Style  
2" Heavy Duty Slotted T-Grid**

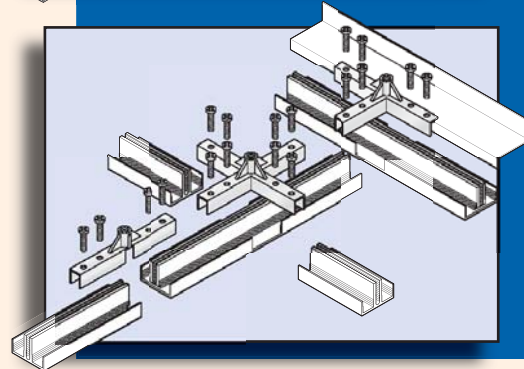
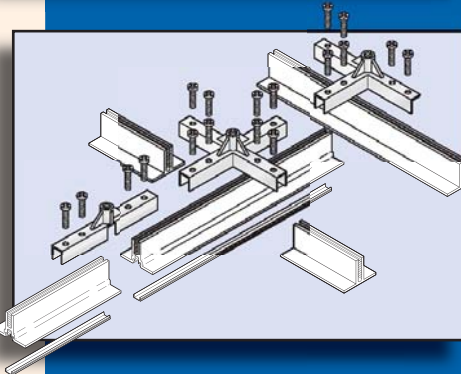
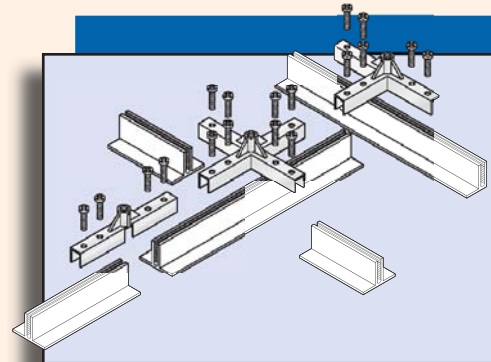


**2" Gasket Seal  
(Slotted)**

**Gel Seal Style  
2" Heavy Duty T-Grid**



**2" Gel Seal**



## Ordering Information for: Intersection Connector Castings, Screws and Gasketing

Part Number	Description	No. of Screws	Weight	Requirement
148038	8" RH/LH Rod	-	0.20	1 per 16 sq. ft.
148039	Turnbuckle	-	0.40	1 per 16 sq. ft.
148041	Inside Corner Connector	4	0.20	1 per corner
148040	Outside Corner Connector	4	0.20	1 per corner
148043	Perimeter Intersection Connector	6	0.12	1 per main tee or cross tee intersecting at the perimeter
148044	Special 3-Way Connector	6	0.12	
148042	4-Way Intersection Connector	8	0.40	1 per intersection
148045	Main T Splice Connector	4	0.10	1 per main tee
148023	Wall Angle Mounting Brackets	4	0.10	3 per 12' length
148046	Wall Angle Splice Connectors	4	0.12	1 per wall angle
211639	1/4-20 Phillips Pan Hd Screw			
603320	Gasket 3/16 x 3/8 x 50' roll			

NOTE: Same for Gasket and Gel Seal Style T-Bar