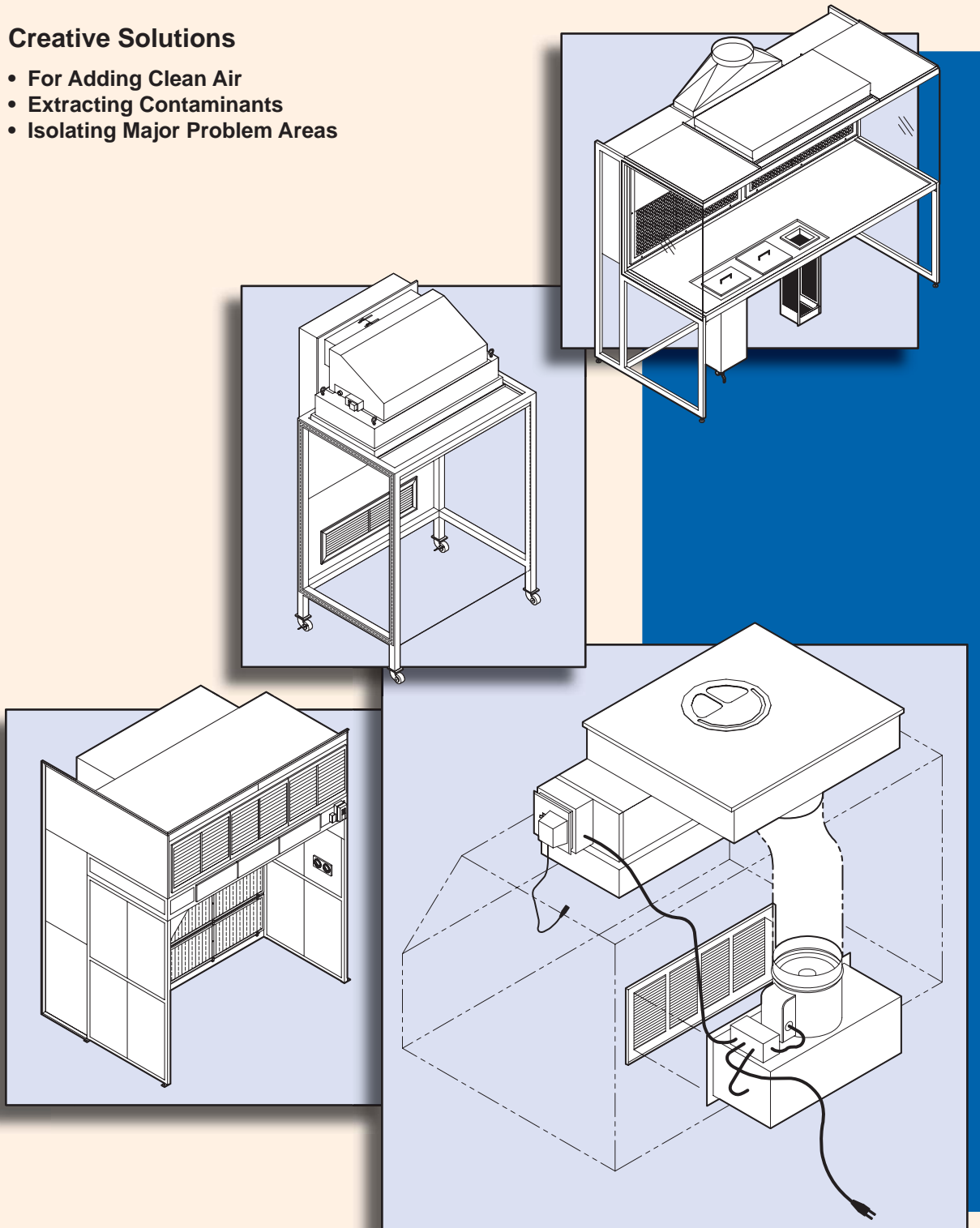


Creative Solutions

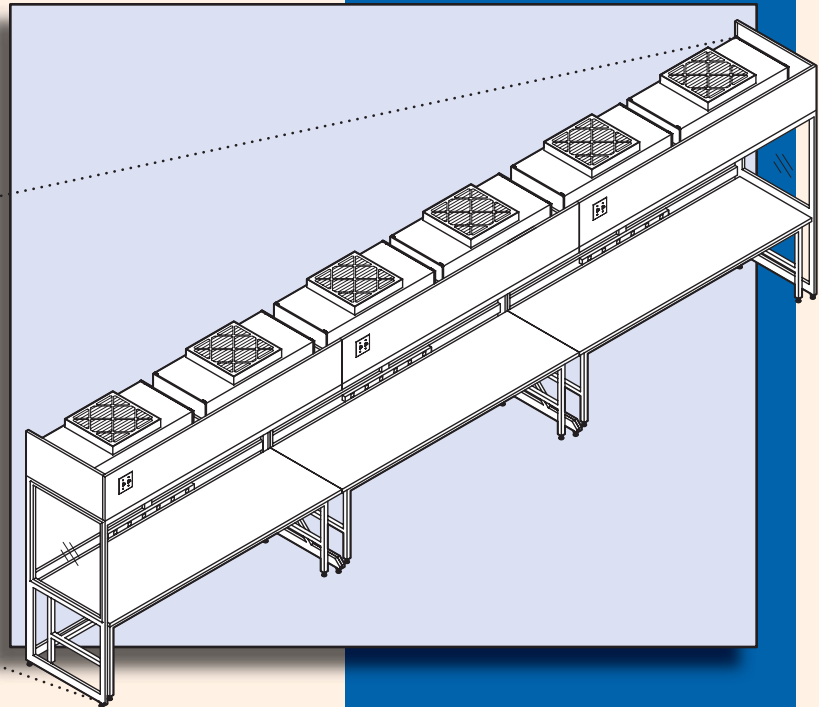
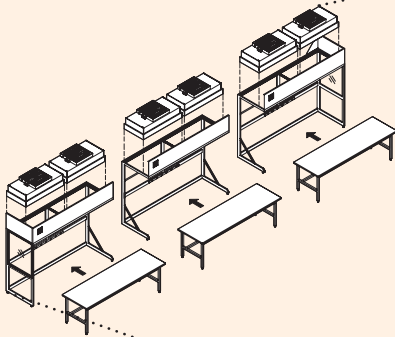
- For Adding Clean Air
- Extracting Contaminants
- Isolating Major Problem Areas



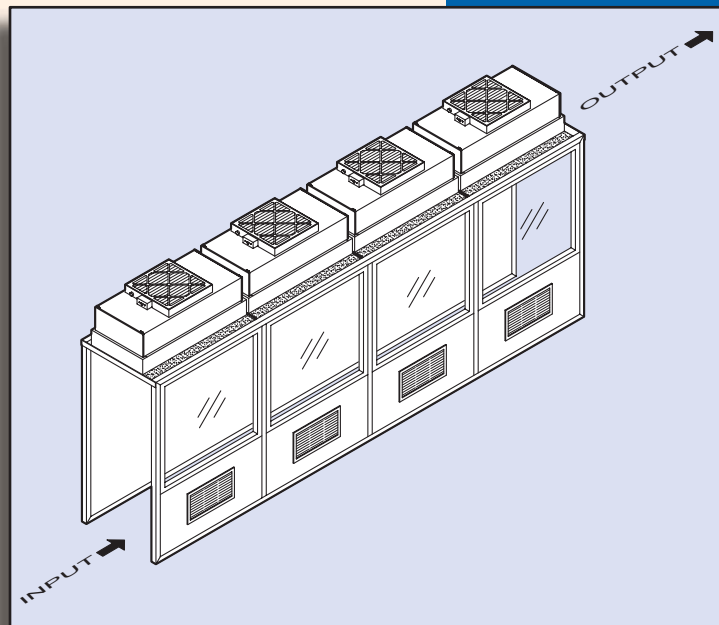
Building a Wide Variety of Products

- From Individual Work Stations to
- Complete Isolation Systems...

**Modular 24'
Cleanbench Workstation
w/Removable Tables**



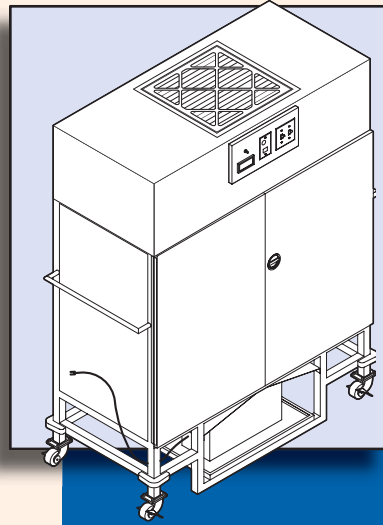
**16' Enclosure
Over an Assembly Line**



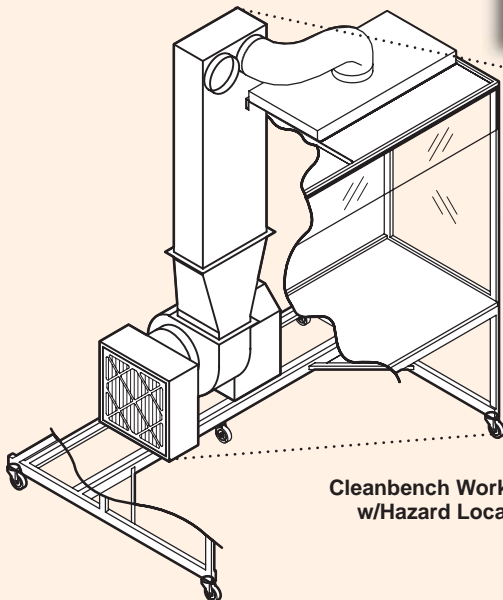
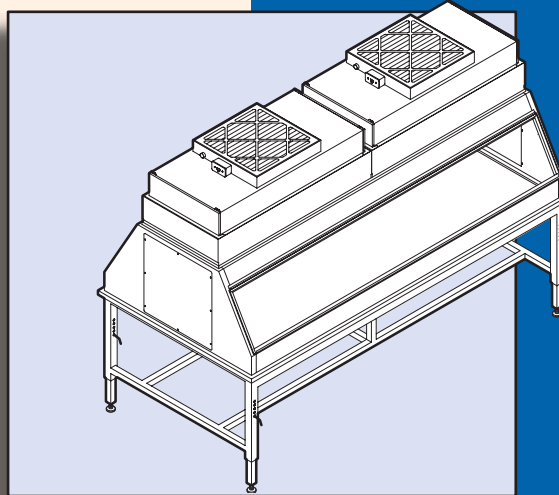
... Building a Wide Variety of Products

- For Isolating Manufacturing Processes or
- Research and Development

Laminar Flow Transfer Cart
w/Power Pak



Enclosed 8' Work Station
w/Operator Access
on Both Sides



Cleanbench Workstation Equipped
w/Hazard Location Motor Blower
Assembly

