

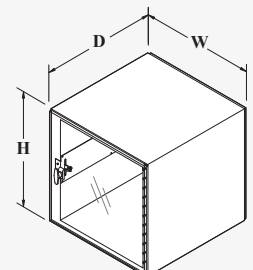
# Standard Pass Through Cabinets

## Ordering Information (For Pass Through Cabinet Units)

White Laminate on All Interior And Exterior Surfaces Model No.	Steel Construction w/White Powdercoat Finish Model No.	Stainless Steel Construction Model No.	Exterior Dimensions H" x W" x D"
15100	15200	15400	12" x 12" x 12"
15101	15201	15401	12" x 12" x 18"
15102	15202	15402	14" x 14" x 18"
15103	15203	15403	18" x 18" x 18"
15104	15204	15404	24" x 24" x 24"
15105	15205	15405	24" x 30" x 24"
15106	15206	15406	30" x 30" x 30" *
15107	15207	15407	30" x 30" x 36" *
15108	15208	15408	36" x 36" x 36" *

\* With 1" Thick Core

Notes: Add approximately 4" to the depth dimension to include doors and handles. Rough cut hole in wall should be 1/8"-1/4" larger than O.D. of the Pass Through Unit. All Pass-Through Cabinets are shipped in a wooden crate.



### Cleaning and Maintenance Instructions:

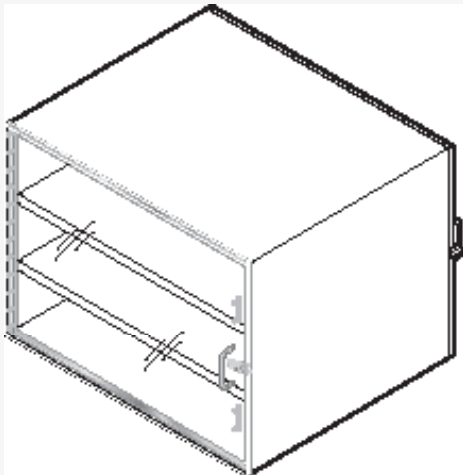
Do not use any abrasive or any type of cleaner containing alcohol or ammonia which will cause severe cracking or “crazing” and will void the warranty on the component and/or structure.

### Ordering Information (For Mounting Components)

Mfg. Code	Description
15900	Mounting Trim, White Painted Aluminum
15901	Mounting Trim, Stainless Steel
15902	Support Gussets, White Painted Steel
15902SS	Support Gussets, Stainless Steel

Consult with the factory for correct lengths.

### Build to Order Options



Pass Through Cabinet with (2) Shelves and Laminated Frame



Pass Through Cabinet For Flush Wall Mount