

Flexible Solutions Caster Options

Available for Built to Order and QS Series

General Information

Adding a Caster Package permits the Softwall Cleanroom to be moved from one location to another.

All casters are polyurethane swivel type and are equipped with brakes (Fig. 2) to prevent movement when the cleanroom is in use.

To insure stability during a move, Caster Option 1 includes up to (8) Diagonal braces (Fig. 3). Cleanrooms with 1-4 sides consisting of all strips utilize two (2) Diagonal braces per side as shown on Fig. 1. Diagonal braces can also be used on sides with solid curtains.

Caster Option 2 includes three (3) Leg Stabilizers for sides with solid curtains as shown in Fig. 4.

Ordering Information

Part No.

805079	Casters, 4" x 2" w/brake (4) req'd.
966002	Diagonal Brace
966018	8 Ft. Leg Stabilizer
966019	10 Ft. Leg Stabilizer
966020	12 Ft. Leg Stabilizer

Lead Time

Lead time for the electrical option requires an additional 5 business days. Consult with the factory for more information.

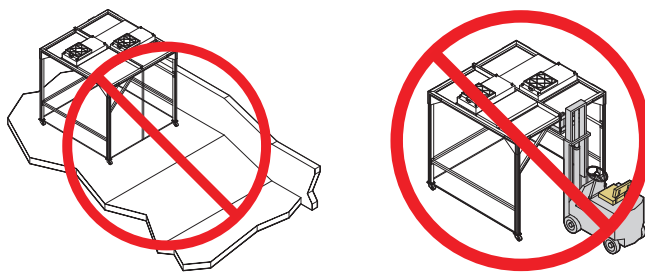
Moving Information

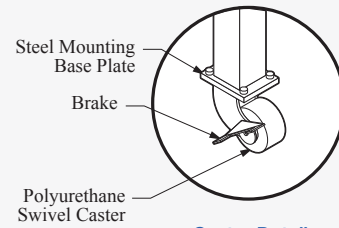
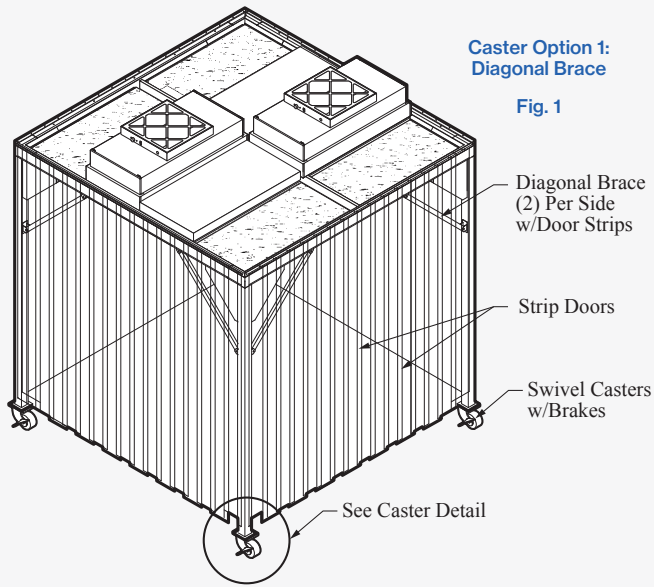
Moving a portable Softwall Cleanroom may involve some risk and danger to the equipment or personnel. Observe all appropriate safety regulations when moving a Softwall Cleanroom equipped with casters.

DO NOT allow personnel to be inside the cleanroom during the moving process.

DO NOT attempt to move cleanroom across uneven or inclined surfaces.

When moving a portable cleanroom, DO NOT use a fork lift, portable hoist, pallet jack or other lifting devices. Use at least one person per leg when moving the cleanroom.





Caster Detail
Fig. 2

