

SAM Customline

sales@cleanroomsint.com
616.452.8700

Designing Flexible Solutions

SAM Customline Fan Filter Units are designed for unique applications and can be customized for special requirements or configurations.

Innovative Engineering

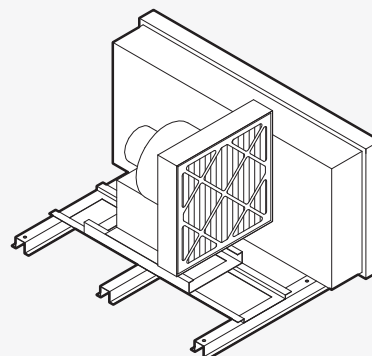
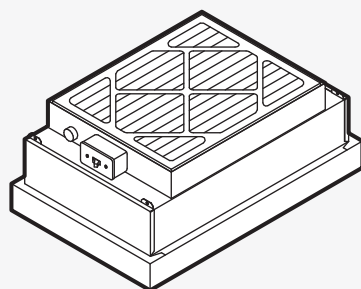
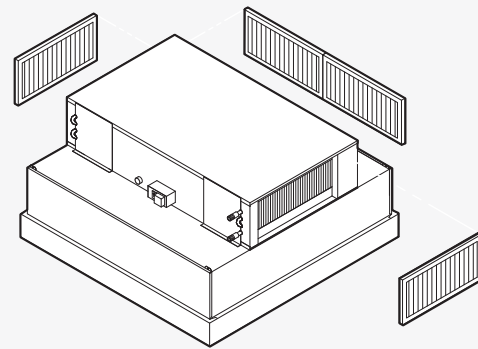
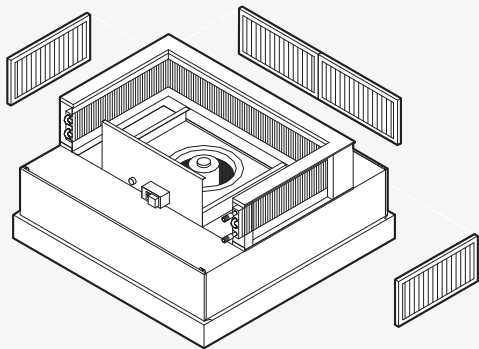
Unlike companies that offer only commodity products, we design and build SAM Customline Fan Filter Units to a specific requirement. Our team of experienced and innovative engineers enable us to provide fan filter units designed to meet your specific needs, regardless of the design challenges involved.

Creative Solutions

Customline units provide a creative solution for adding clean air and are often designed to be an integral component for special equipment.

Custom Designed Units

These illustrations and those on the next page are but a few examples of the comprehensive collection of specially designed units. SAM Customline Units have allowed our customers to achieve their requirements for clean, filtered air.



Designing Flexible Solutions

