

SAM RF Reverse Flow

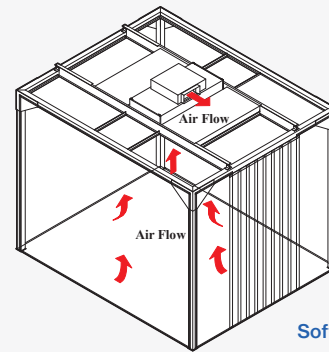
Use a Reverse Flow Unit When Reverse Airflow Is Required

Air is pulled out of a cleanroom, clean bench, workstation, or an enclosure and passes through a HEPA filter.

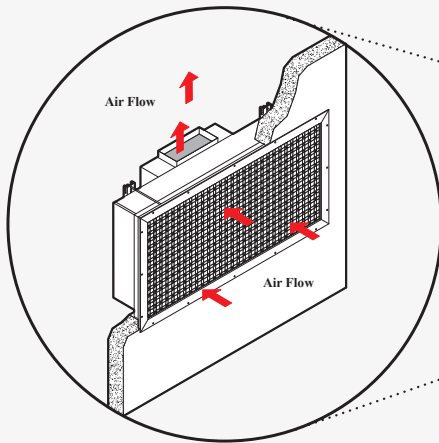
The HEPA filter captures particles sized at 0.3 microns or larger.

Clean air can be exhausted into the ambient area, ducted into a recirculation system, or vented to the outside.

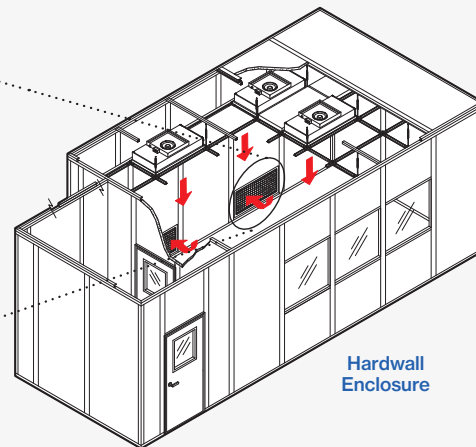
Prevents contaminants within a clean bench or workstation, from reaching the operator.



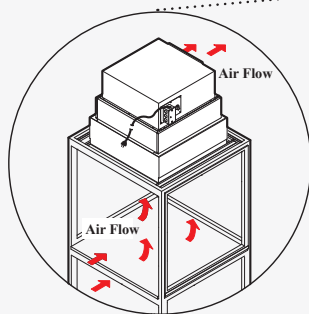
8' x 10' x 8'
Softwall Enclosure



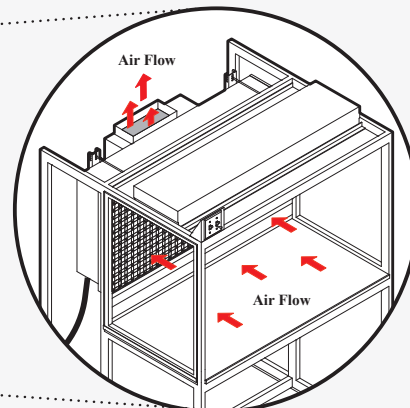
SAM 24 RF GS Horizontal Flow



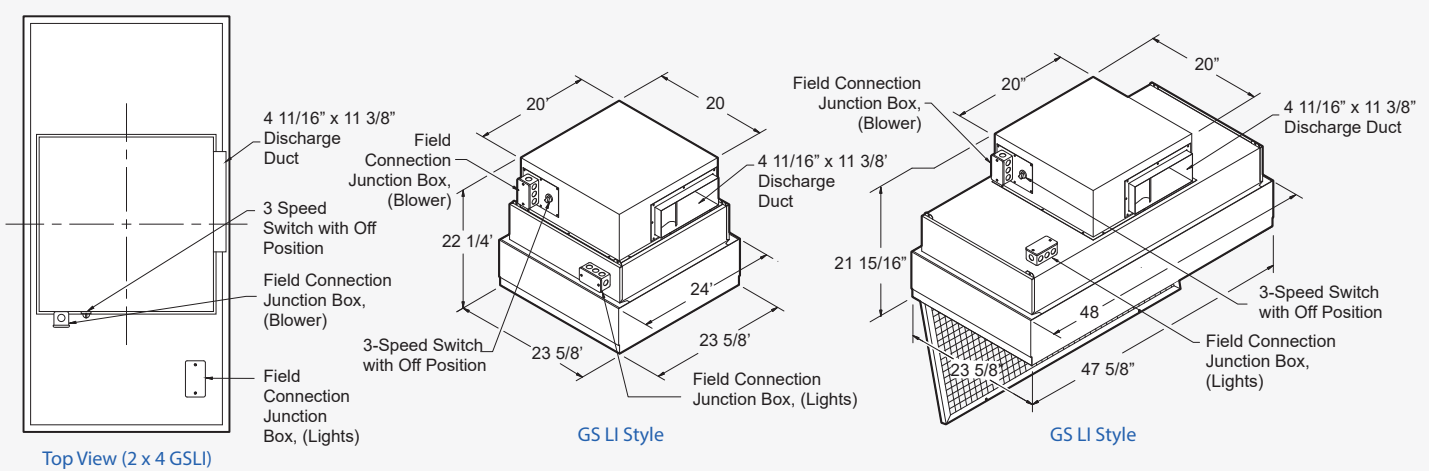
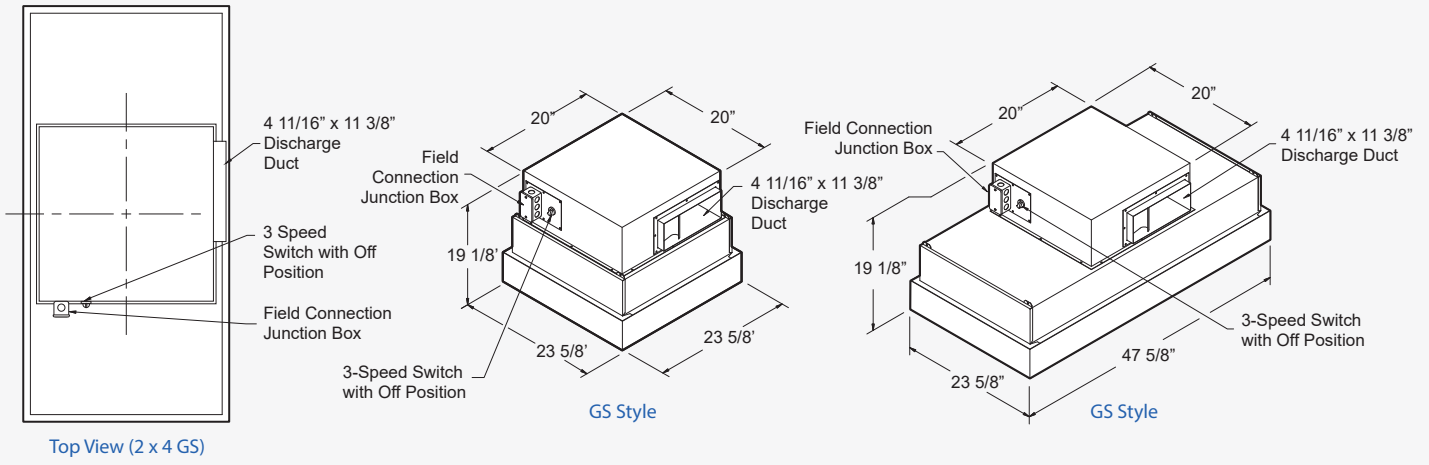
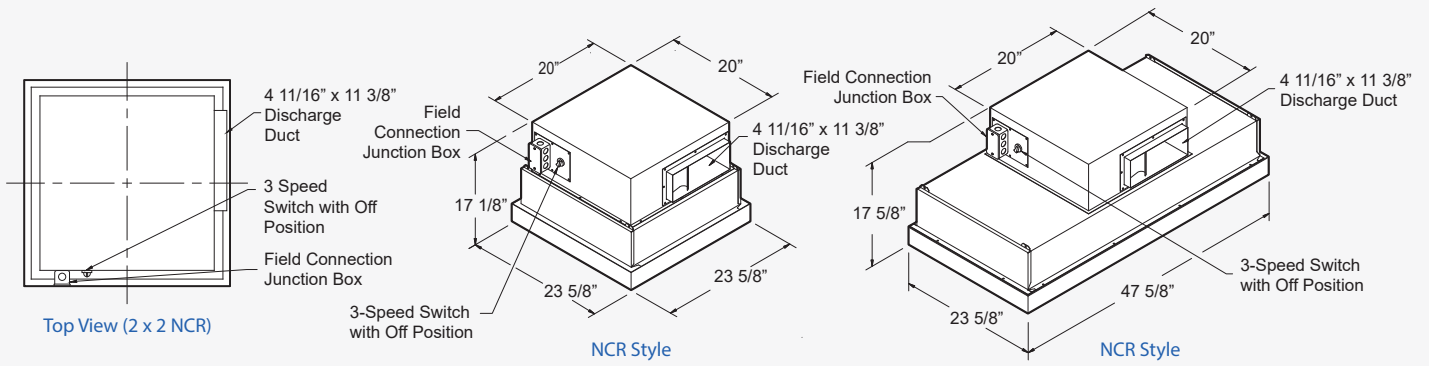
Hardwall
Enclosure



30' x 30' Reverse Flow Clean
Bench



4' Horizontal, Reverse Flow E-Series
Clean Bench Work Station



Base Model (Ordering Information)

Mfg. Code	Model	Size	Voltage	Weight
12370	SAM 22 RF NCR	2 x 2	115	69 lbs. (31.3 kg.)
12371	SAM 22 RF NCR	2 x 2	277	69 lbs. (31.3 kg.)
12372	SAM 22 RF GS	2 x 2	115	78 lbs. (35.4 kg.)
12373	SAM 22 RF GS	2 x 2	277	78 lbs. (35.4 kg.)
12374	SAM 22 RF GS LI	2 x 2	115	83 lbs. (37.6 kg.)
12375	SAM 22 RF GS LI	2 x 2	277	83 lbs. (37.6 kg.)
12376	SAM 24 RF NCR	2 x 4	115	84 lbs. (38.1 kg.)
12377	SAM 24 RF NCR	2 x 4	277	84 lbs. (38.1 kg.)
12378	SAM 24 RF GS	2 x 4	115	103 lbs. (46.7 kg.)
12379	SAM 24 RF GS	2 x 4	277	103 lbs. (46.7 kg.)
12380	SAM 24 RF GS LI	2 x 4	115	109 lbs. (49.4 kg.)
12381	SAM 24 RF GS LI	2 x 4	277	109 lbs. (49.4 kg.)

NOTE: Consult with the factory for replacement filters