

Options: Duct Collar

Duct Collar Adapter

Duct Collar Adapters

Model No.	Description
19950	10" Duct Collar Adapter with galvanized finish
19951	12" Duct Collar Adapter with galvanized finish

* No Prefilter is used, * Two required for SAM 26 models
NOTE: Duct collar adapters #19950 & #19951 may be used without negating the UL listing. All other duct collars and mixing boxes negates UL listing.

Top Load Duct Collar Adapters (Allows the Prefilter to be changed from the top)

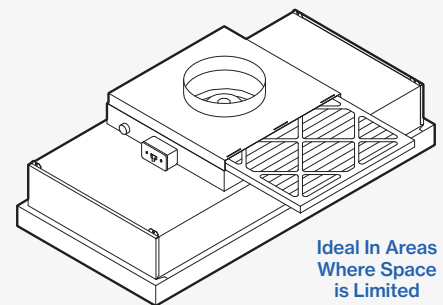
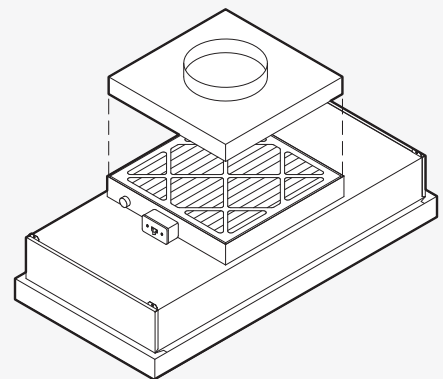
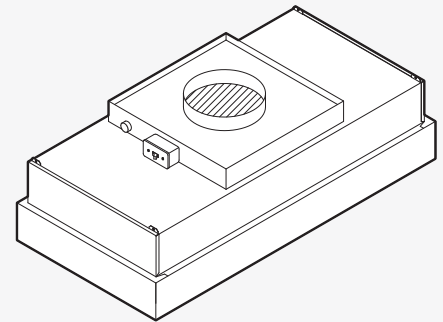
Model No.	Description
19955	Top Load Adapter with 10" Duct Collar Adapter with galvanized finish
19956	Top Load Adapter with 12" Duct Collar Adapter with galvanized finish

* Two required for SAM 26 models, * Add 1-1/2" to total height of unit

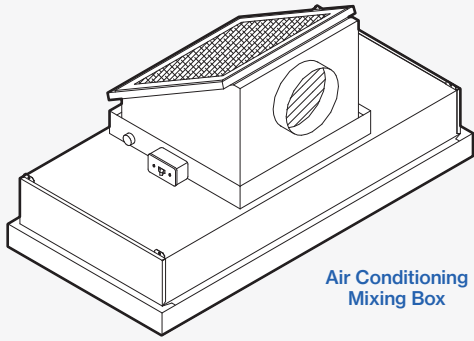
Side Load Prefilter with Duct Collar (Allows the Prefilter to be changed from the side when space is limited)

Model No.	Description
19952	Side Load Prefilter Frame with 10" Duct Collar Adapter with galvanized finish
19953	Side Load Prefilter Frame with 12" Duct Collar Adapter with galvanized finish

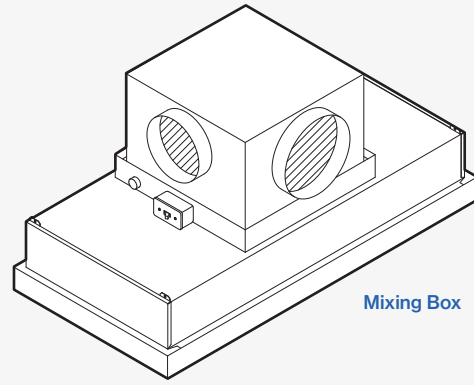
* Two required for SAM 26 models, * Add 1-1/2" to total height of unit



Ideal In Areas
Where Space
is Limited



**Air Conditioning
Mixing Box**



Mixing Box

Air Conditioning Mixing Box
(Allows Conditioned Air Connection to SAM Unit)

Model No.	Description
19958	With 10" Duct Collar
19959	With 12" Duct Collar

* For Open Plenum Systems, * Galvanized finish and White Powdercoat finish available

Mixing Box
(Allows Conditioned Air Connection to SAM Unit)

Model No.	Description
19947	With 10" Duct Collar
19948	With 12" Duct Collar

* Galvanized finish and White Powdercoat finish available