

Options

Pilot Light, Power Cord, and Prefilter

Roomside Pilot Light

Model No.	Description
19700	NCR Style Red Pilot Light, 115/230/277V, (Light Indicates Power to Motor Only)
19701	NCR Style Pilot Light w/Pressure Switch, 115/230/277V, (Light Proves Air Flow)
19702	GS Style Red Pilot Light, 115/230/277V, (Light Indicates Power to Motor Only)
19703	GS Style Pilot Light w/Pressure Switch, 115/230/277V, (Light Proves Air Flow)

NOTE: Use of Roomside pilot light negates UL listing.

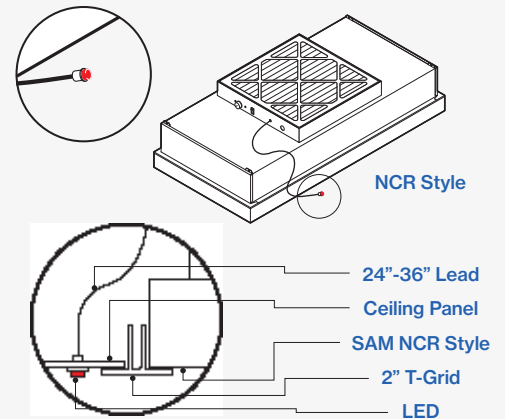
Power Cord

Model No.	Description
703902	8 ft Power Cord for all Other SAM Models, 115V Only, Safety Switch is Standard Equipment for all Models

Prefilters

Model No.	Description
302190	Prefilter, 20" x 20" x 1", 30% ASHRAE Efficient, Fits all SAM Units
309802	Super Clean Prefilter, 20" x 20" x 1", Suitable for Using in ISI Class, 3-5 and Federal Standard 209 Class 1-100, Fits all SAM Units

* Consult the factory for additional sizes.



Pilot Light Mounting Detail (NCR Style Units)

