

GS, GS LI, CFM Terminal Diffusers

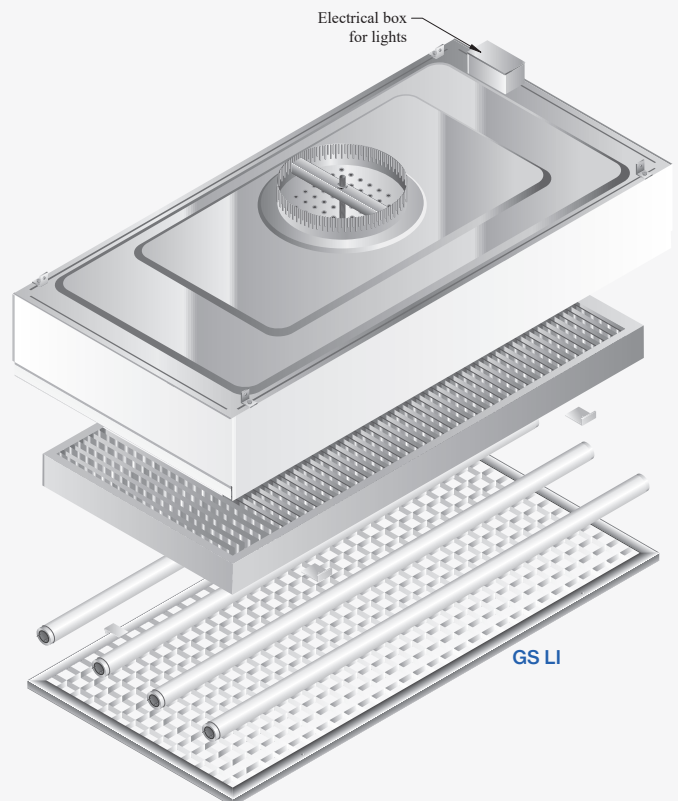
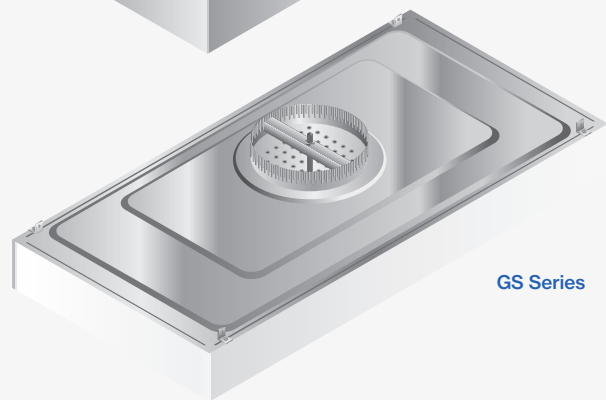
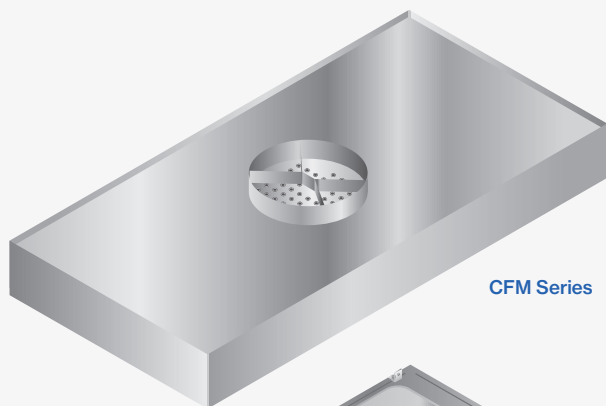
Our Terminal Diffusers...

We offer a wide variety of Terminal Diffusers in three distinct series for meeting the exacting requirements of microelectronics assembly, pharmaceutical production, laboratories, hospitals and other industries requiring high purity air flow.

The CFM Series is the disposable type, the GS Series features a filter replaceable from roomside,

and the GS LI Series features an integral light fixture in addition to a filter replaceable from roomside. All models are available with either a HEPA or ULPA filter and a 10" or 12" duct collar inlet.

Our engineering staff can also design terminal diffusers to your specific requirements or sizes. Consult with the factory for more information.



Special Terminal Diffusers

Our team of experienced and innovative engineers enable us to provide special terminal diffusers designed to meet your specific needs.

These illustrations are examples of the wide variety of recently designed diffusers which have allowed our customers to achieve their goal of providing clean, filtered air.

