

# Terminal Diffuser Grille Options

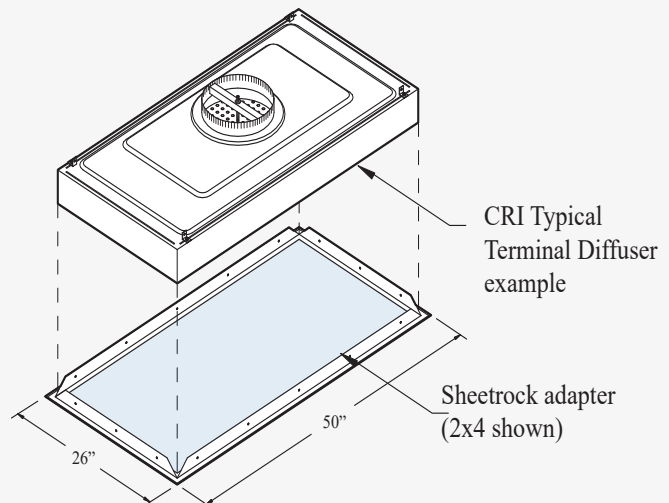
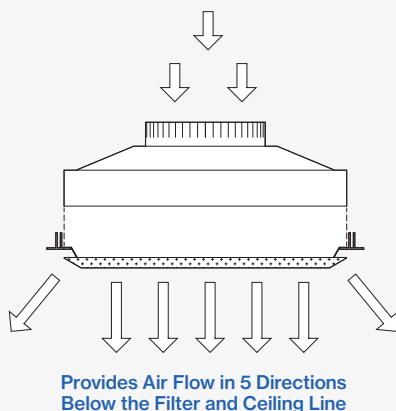
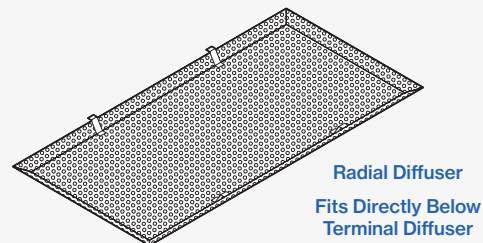
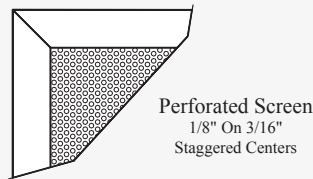
sales@cleanroomsint.com  
616.452.8700

## General Information

All Aluminum Perforated Grille with 1/8" Round Holes Replaces the Standard Egg Crate Grille. Available with Your Choice of Clear Anodized or White Powdercoat Finish.

## Sheet Rock Adapters For Independent Support of Terminal Diffusers in Solid Ceilings

Fabricated from white powdercoated steel or Stainless Steel and supplied with factory applied gasket. Suspension from building structure by others.



## Grilles 1/8" Round Perforated (40% Open Area)

Model No.	Description	Size
19506	GS/CRF Anodized Aluminum Grille w/Anodized Aluminum Frame	2 x 2
19507	GS/CRF Anodized Aluminum Grille w/Anodized Aluminum Frame	2 x 4
19508	GS/CRF White Painted w/White Painted Frame	2 x 2
19509	GS/CRF White Painted w/White Painted Frame	2 x 4
19511	GS/CRF Stainless Steel Rd Grille w/Anodized Aluminum Frame	2 x 4
19512	GS/CRF Stainless Steel Rd Grille w/Anodized Aluminum Frame	2 x 2
19514	GS/CRF Stainless Steel Perf Grille w/Stainless Steel Frame	2 x 4

## Radial Diffuser Grille

Model No.	Description	Size
19300	Radial Diffuser Grille	2 x 2
19301	Radial Diffuser Grille	2 x 4

## Ordering Information

Part No.	Description	Ceiling Opening Required	
19993	2 x 2 White Sheet Rock Adaptor	Min. 24-1/8 x 24-1/8	Max. 24-1/2 x 24-1/2
19994	2 x 4 White Sheet Rock Adaptor	Min. 24-1/8 x 48-1/8	Max. 24-1/2 x 48-1/2
19995	2 x 4 Stainless Steel Sheet Rock Adaptor	Min. 24-1/8 x 48-1/8	Max. 24-1/2 x 48-1/2
19996	2 x 2 Stainless Steel Sheet Rock Adaptor	Min. 24-1/8 x 24-1/8	Max. 24-1/2 x 24-1/2