

Horizontal Flow Clean Benches

General Information

A self contained SAM Fan Filter Unit provides Class 100 HEPA filtered air in a horizontal flow pattern within the workspace.

Electrical

Standard voltage is 115 volts with other voltage options available. Separate On/Off switches for the fan and lights are located above the workspace. All 115 volt models are equipped with a 8 foot power cord and 3 - prong plug. Other voltages require electrical connection to the power source by a qualified electrician.

Final Filter

HEPA filters are 99.99% efficient @ 0.3 micron or larger with anodized aluminum frame. ULPA grade

filters are 99.9995% efficient @ 0.12 micron, and are available as an option.

Prefilter

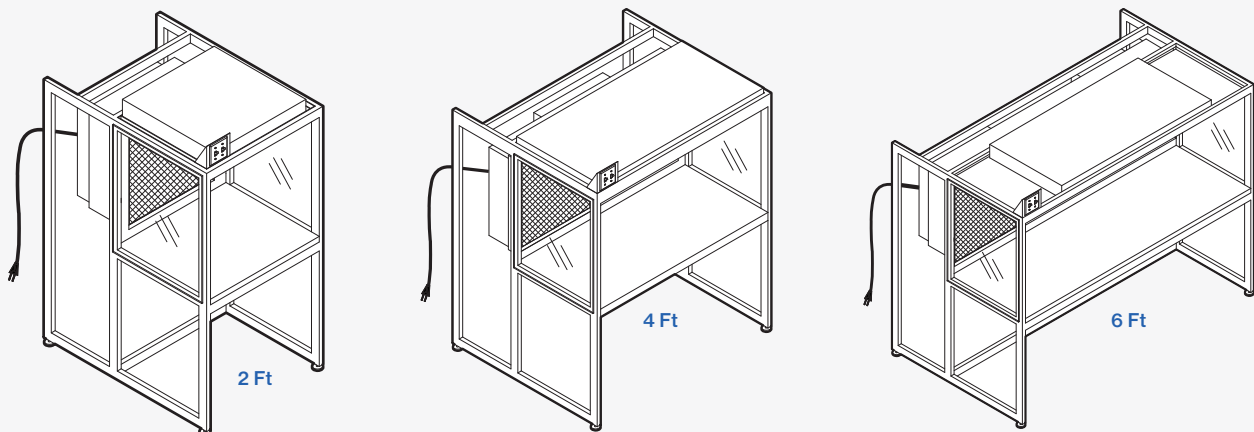
A pleated type, disposable prefilter rated at 30% ASHRAE efficiency is standard.

Speed Control

A solid state variable speed control is mounted on the SAM unit.

Grille

Horizontal flow clean benches have a polystyrene grille inserted in an anodized aluminum frame which is hinged to open. This permits removal of the HEPA filter without removing the SAM unit from the frame.



Construction

Clean Bench frames are white painted steel tubing with clear acrylic side panels and adjustable leg levelers. Work surfaces are solid core with white high pressure laminate finish. ESD, perforated and stainless steel work surfaces are available as options. Clean Bench models are available in a sit-down style with work surface 30" from floor or stand-up style with work surface 40" from floor.

Lighting

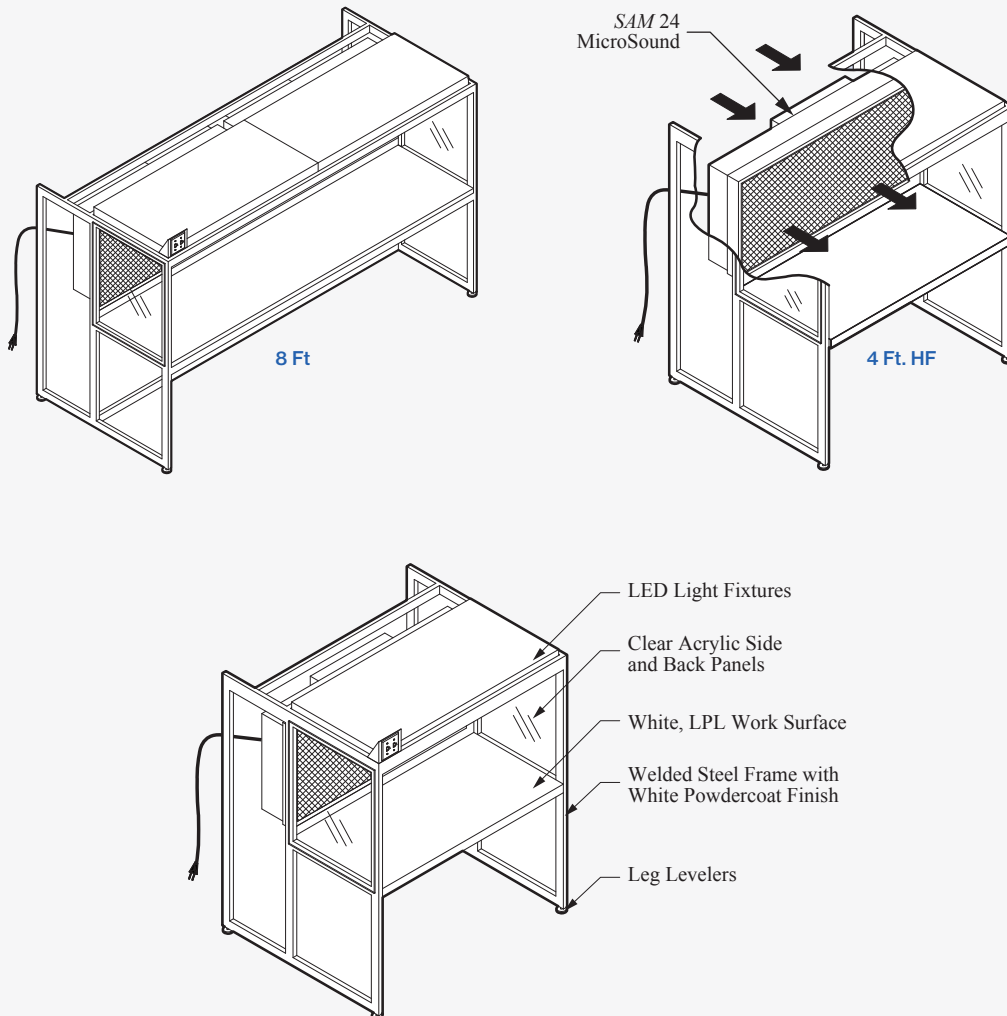
All horizontal flow models with lights are equipped with an LED light fixture, 120 volt, 60 hz.

Shipping

Horizontal Flow Clean Benches are partially assembled.

Options

See a following page for options and ordering information.



Ordering Information
Sit-down Style Horizontal Flow with Lights and Work Surface 30" from Floor

Model No.	Voltage	Nominal	Work Surface	Overall Dimensions	Opening Size	Weight
13255	115V	2 Ft.	24" x 25"	26"L x 44"D x 66"H	24"L x 30"H	275 lbs.
13243	115V	4 Ft.	48" x 25"	50"L x 44"D x 66"H	48"L x 30"H	360 lbs.
13244	115V	4 Ft.	48" x 32"	50"L x 51"D x 66"H	48"L x 30"H	375 lbs.
13245	115V	6 Ft.	72" x 25"	74"L x 44"D x 66"H	72"L x 30"H	490 lbs.
13246	115V	6 Ft.	72" x 32"	74"L x 51"D x 66"H	72"L x 30"H	505 lbs.
13247	115V	8 Ft.	96" x 25"	98"L x 44"D x 66"H	96"L x 30"H	630 lbs.
13248	115V	8 Ft.	96" x 32"	98"L x 51"D x 66"H	96"L x 30"H	650 lbs.

NOTE: Fluorescent light tubes not included

Ordering Information
Stand-up Style Horizontal Flow with Lights and Work Surface 40" from Floor

Model No.	Voltage	Nominal	Work Surface	Overall Dimensions	Opening Size	Weight
13256	115V	2 Ft.	24" x 25"	26"L x 44"D x 76"H	24"L x 30"H	240 lbs.
13249	115V	4 Ft.	48" x 25"	50"L x 44"D x 76"H	48"L x 30"H	390 lbs.
13250	115V	4 Ft.	48" x 32"	50"L x 51"D x 76"H	48"L x 30"H	410 lbs.
13251	115V	6 Ft.	72" x 25"	74"L x 44"D x 76"H	72"L x 30"H	515 lbs.
13252	115V	6 Ft.	72" x 32"	74"L x 51"D x 76"H	72"L x 30"H	530 lbs.
13253	115V	8 Ft.	96" x 25"	98"L x 44"D x 76"H	96"L x 30"H	700 lbs.
13254	115V	8 Ft.	96" x 32"	98"L x 51"D x 76"H	96"L x 30"H	730 lbs.

NOTE: Fluorescent light tubes not included

Options

208-230V, 50/60 hz motor

Casters with brakes

ESD Acrylic side and back panels

277V, 60 hz motor

Duplex electrical outlets

ESD work surface

250V, 50 hz lighting for export models

Front Face Shields

Stainless steel work surface

Duct Collar Adaptor, 10" or 12" diameter

Magnehelic Gage

Static Control Package

ULPA Filter 99.9995% efficiency @ 0.12 micron or larger

Perforated work surface

Refer to following pages for more options